



**Technical  
documentation**

OEKOSWISS 

The understated and functional design features of Oekoswiss IR heaters leave a lasting impression. Their low installation depth means they require little room and hug the wall to create an elegant effect. They are the perfect choice for your home, fitting in seamlessly with the rest of your furnishings.

## Contents

---

### L&C system from Oekoswiss

- The lift and coast system from Oekoswiss

4-5

---

### EU regulations

- Ecodesign Directive

6-7

---

### Glass heaters

- Technical data for all models

10-29

---

### Mirror heaters

- Technical data for all models

32-41

---

### Ceiling grid heaters

- Technical data for all models

44-47

---

### Control technology

- SALUS Smart Home system

50-51

- Combining with Delta Dore systems

52-53

---

### Foot heaters

- Technical data for all models

56-59

---

### Supporting feet

- With 5° tilt

60

---

### Flush-mounted integration

62-69

---

### Installation, warranty, mounting instructions

- Installation and mounting guidelines

70-71

- Warranty and scope of delivery

72-73

- Mounting instructions

74

---



## Innovation

The centrepiece is the intelligent and digital management of OEKOSWISS IR heating systems. OEKOSWISS has continued to refine the products. Consequently, as a developer and manufacturer, when we come across new technical possibilities we can react to them and implement them quickly and directly.

Digital energy management records the temperature of the OEKOSWISS IR heater in real time, using the software to make smart predictions. The result is optimal operation of the OEKOSWISS IR heater in terms of heat emission, for a heater that is not just more efficient but safer too.

### Startphase:

To see how it works, take a look at the graph of energy intake over the period from start-up until the target temperature is reached. When the target temperature has nearly been reached, the digital controller begins to reduce the power so that the surface temperature does not overshoot the target.

### Maintenance of the target temperature:

No more energy than necessary is used to keep the surface at the selected temperature. This decreases the reaction time of the heat emission to the room while the surface temperature remains stable.

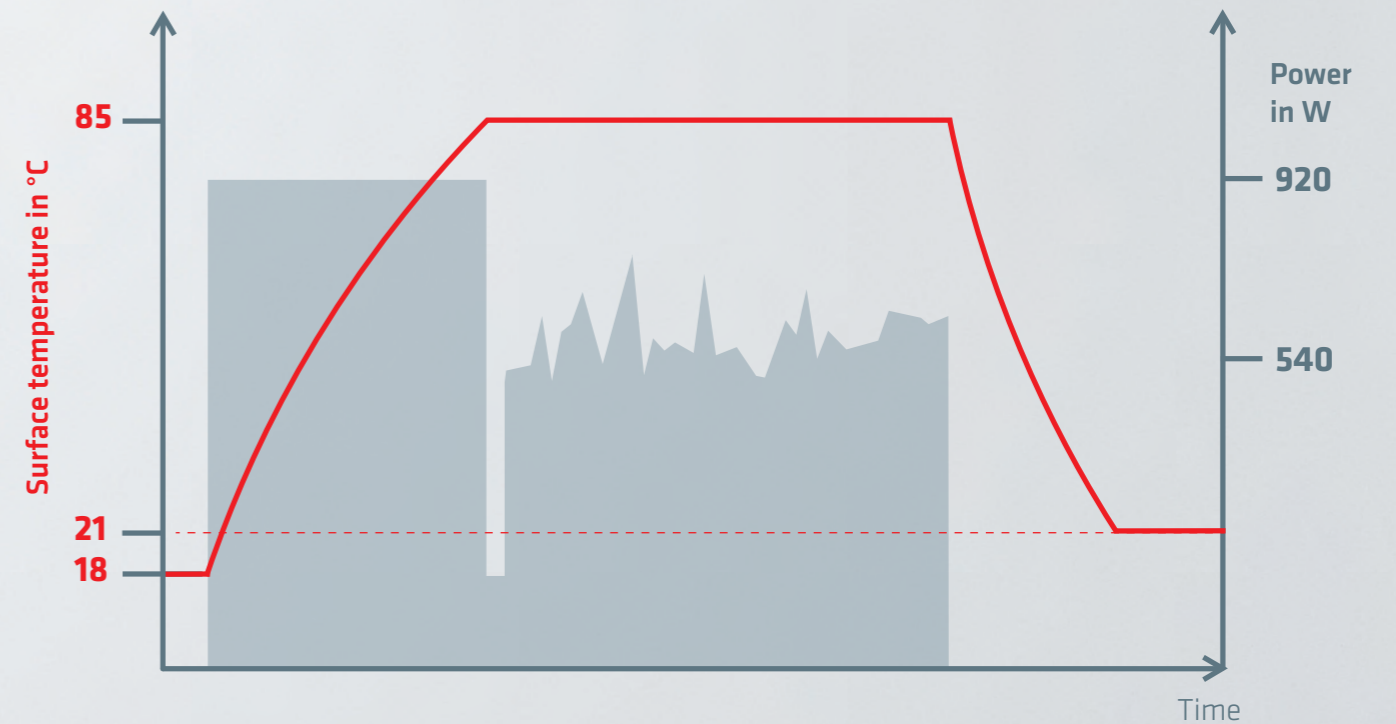
## Lift & Coast-System (L&C System from Oekoswiss)

Imagine the Lift and Coast System as like a multi-speed gearbox in a car. In order to accelerate when joining the motorway, a lot of power is used. As soon as the desired speed is reached, the power is reduced. The result is that the speed is kept constant without a large amount of energy being used.

The OEKOSWISS IR heater ramps up to the target temperature quickly. As soon as it reaches this temperature, it only inputs as much energy as is needed to maintain this level. During operation, the OEKOSWISS IR heater does not switch off completely. Instead, the software controls the energy intake via a semiconductor relay – a digital energy manager – with great precision,

preventing the temperature from overshooting or undershooting the target. With a loss-minimising design and fast, direct and practically loss-free heat generation, this device is geared up to deliver maximum performance. The entire process happens in fractions of a second, without noise or major heat differences.

Another advantage of this technology is the continuously variable power controller that does not rely on a mechanical relay. The semiconductor relay is not susceptible to wear during use, and can be controlled precisely by the OEKOSWISS system, extending the service life even further.



When located in an enclosed space, OEKOSWISS IR infrared heaters transmit heat to the space such that a comfortable temperature for people can be achieved and maintained.

The room temperature control appliances have the technical specifications that mean they comply with the Regulation (EU) 2015/1188 (Ecodesign Directive of 01/01/2018).

This efficiency level is calculated from the ratio of the heating requirements covered to the primary energy used. Here, the primary energy is based on the average efficiency of the electricity generated in the EU as a blanket figure.

This generalised approach provides the basic value for the control technology to be used, which is required for use of the Oekoswiss IR infrared heaters in compliance with the Ecodesign Directive.

ANNUAL SPACE HEATING EFFICIENCY LEVEL	PORTABLE	FIXED
Basic value (mean efficiency level of the electricity generated in the EU)	30%	30%
min. requirement	36%	38%
<b>Shortfall in annual efficiency</b>	<b>-6%</b>	<b>-8%</b>

The control technology increases the basic value of the annual efficiency level by the correction factors F(2) and F(03) in order to achieve the required value.

The country-specific calculation methods for determining the overall efficiency of buildings are not affected by this.

In this context, buildings also include garages, attics, cellars, conservatories, unheated conservatories or summerhouses, as well as self-contained annexes.

This means that particularly inefficient devices are gradually being excluded from the EU internal market, which is aiding progress towards achieving national and European climate targets.

Dimensions in mm	Weight	Colour	Art. no.
500 x 1700 x 30	16 kg	matt white	388 061 000
500 x 1700 x 30	16 kg	matt black	388 062 000

Heat output	Symbol	oeko 720-50
Nominal heat output	$P_{nom}$	0.8 kW
Minimum heat output (indicative)	$P_{min}$	0.0 kW
Maximum continuous heat output	$P_{max,c}$	0.8 kW
Infinitely variable power consumption in operation	$P_{Operation}$	0.0 – 0.8 kW

Auxiliary electricity consumption	Symbol	oeko 720-50
At nominal heat output	$el_{max}$	0.0 kW
At minimum heat output	$el_{min}$	0.0 kW
In standby mode	$el_{SB}$	0.0 kW

### Correction factor F(2)

Type of heat output/room temperature control*		
Single stage heat output and no room temperature control	no	0%
Two or more manual stages, no room temperature control	no	0%
Room temperature control with mechanical thermostat	no	+1%
With electronic room temperature control	no	+3%
Electronic room temperature control and time of day management	no	+5%
Electronic room temperature control and day of week management	yes	+7%

### Correction factor F(3)

Other control op*		
Room temperature control with presence detection	optional	0%
Room temperature control with open window detection	optional	+1%
With distance control option	yes	+1%
With adaptive start control	yes	+1%
With operating time limitation	yes	0%
With black bulb sensor	no	0%

\*In combination with the control technology recommended by Oekoswiss.

**Oekoswiss Energy AG, Mülacher 6 | CH-60 24 Hildisrieden**

Product information pursuant to Regulation (EU) 2015/1188 (Ecodesign Directive)

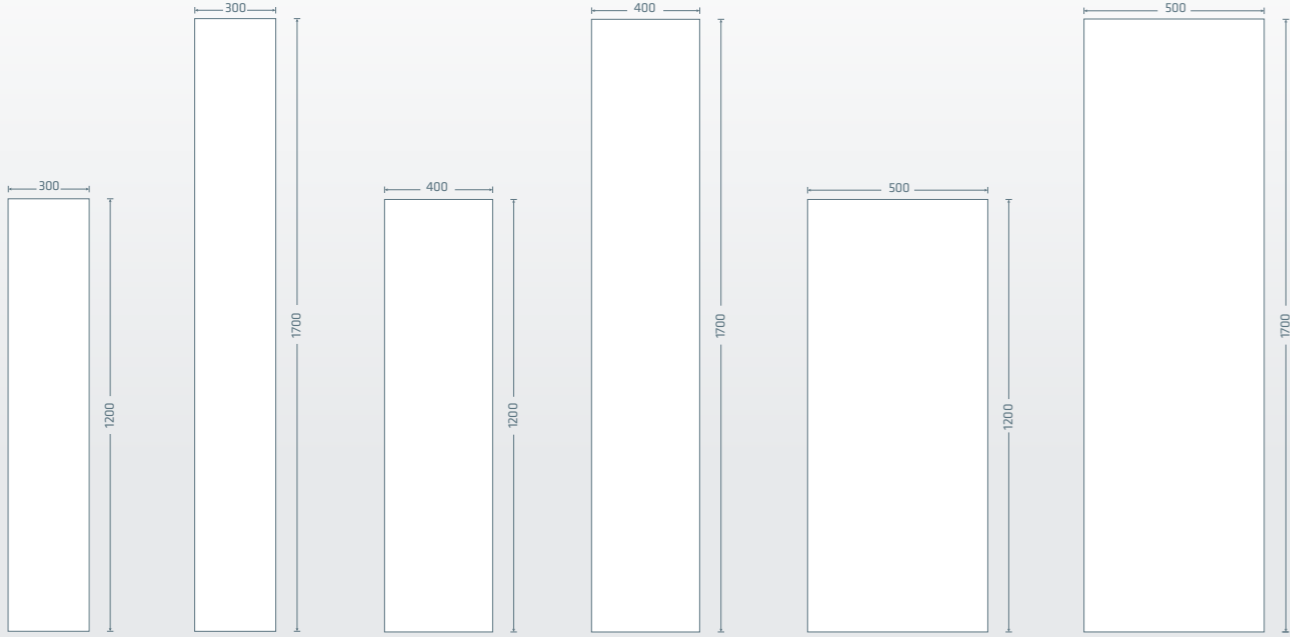


Glass heaters | Overview of all sizes

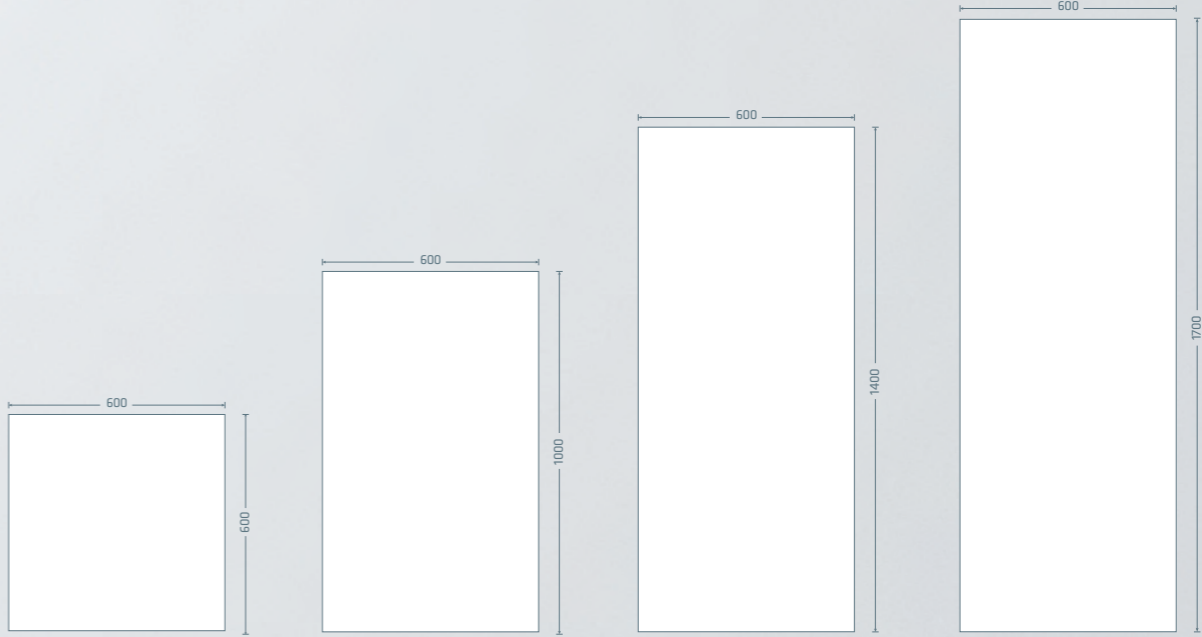


Finish:  
matt white

Finish:  
matt



Model	300-30	400-30	390-40	570-40	520-50	720-50
Power	290 W	430 W	440 W	630 W	560 W	800 W

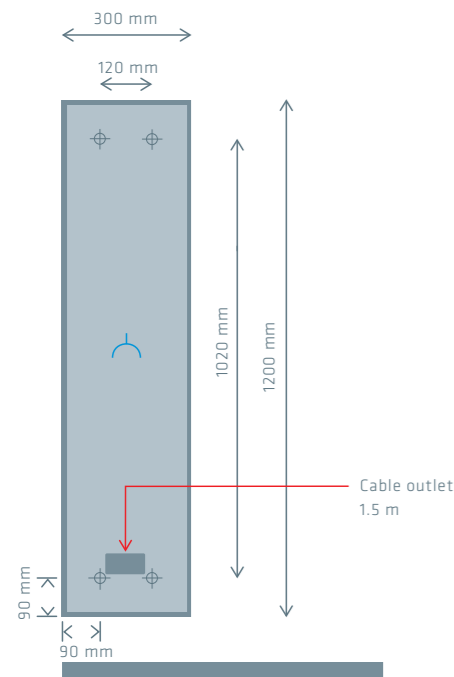


Model	300-60	520-60	720-60	890-60
Power	320 W	580 W	830 W	1000 W

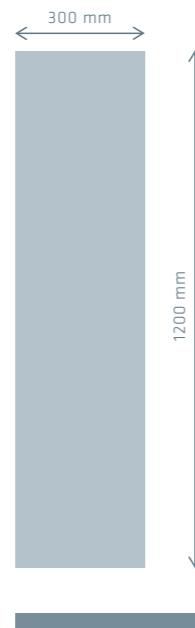
Technical data

<b>Front</b>	Low iron oxide, toughened safety glass with special coating and high radiation value. In matt white (RAL 9010) and matt black (RAL 9005). Also available as customised image panel heater. All versions have temperature-resistant ceramic screen printing.	<b>Voltage</b>	230 VAC, 50Hz
		<b>Max. power</b>	290 W
		<b>Lift &amp; Coast System</b>	continuously variable 0 to 290 watts
		<b>Max. current</b>	1.4 A
		<b>Protection class</b>	IP 44
<b>Back</b>	Powder-coated, mineral insulation RAL 9010 (matt white finish) RAL 9005 (matt black finish)	<b>Max. temperature of front</b>	86°C
		<b>Max. temperature of back</b>	28°C
<b>Functions</b>	- Integrated Lift & Coast System with electronic surface temperature control - Thermal fuses	<b>Installation</b>	Suitable for ceiling and wall mounting or with accessories Art. no. 168 131 000 for integrated installation.

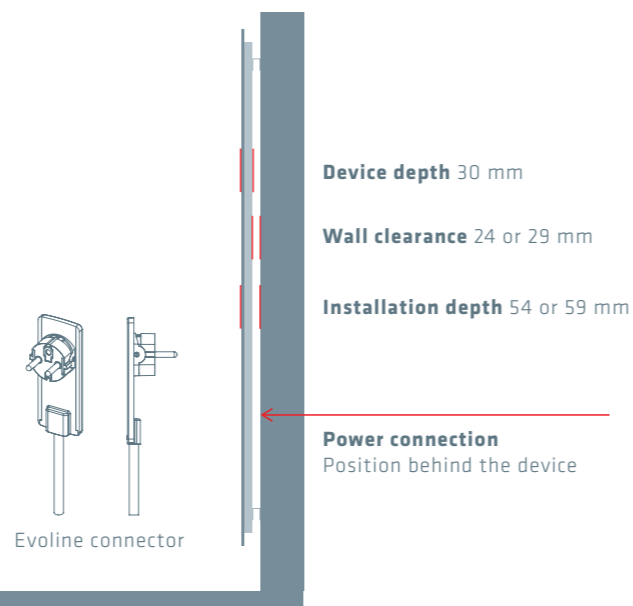
**Back view**  
Hole pattern oeko 300-30



**Front view**



**Side view**



Dimensions in mm	Weight	Colour	Art. no.
300 x 1200 x 30	8 kg	matt white	388 011 000
300 x 1200 x 30	8 kg	matt black	388 012 000

Delta Dore Combination Plug & Heat

Dimensions in mm	Weight	Colour	Art. no.
300 x 1200 x 30	8 kg	matt white	388 011 296
300 x 1200 x 30	8 kg	matt black	388 012 296

Heat output	Symbol	oeko 300-30
Nominal heat output	$P_{nom}$	0.29 kW
Minimum heat output (indicative)	$P_{min}$	0.0 kW
Maximum continuous heat output	$P_{max,c}$	0.29 kW
Infinitely variable power consumption in operation	$P_{Operation}$	0.0 – 0.29 kW

Auxiliary electricity consumption	Symbol	oeko 300-30
At nominal heat output	$el_{max}$	0.0 kW
At minimum heat output	$el_{min}$	0.0 kW
In standby mode	$el_{SB}$	0.0 kW

Type of heat output / room temperature control*	
Single stage heat output and no room temperature control	no
Two or more manual stages, no room temperature control	no
Room temperature control with mechanical thermostat	no
With electronic room temperature control	no
Electronic room temperature control and time of day management	no
Electronic room temperature control and day of week management	yes

Other control options*	
Room temperature control with presence detection	optional
Room temperature control with open window detection	optional
With distance control option	yes
With adaptive start control	yes
With operating time limitation	yes
With black bulb sensor	no

\*In combination with the control technology recommended by Oekoswiss.

Oekoswiss Energy AG, Mülacher 6 | CH-60 24 Hildisrieden  
Product information pursuant to Regulation (EU) 2015/1188 (Ecodesign Directive)



Technical data

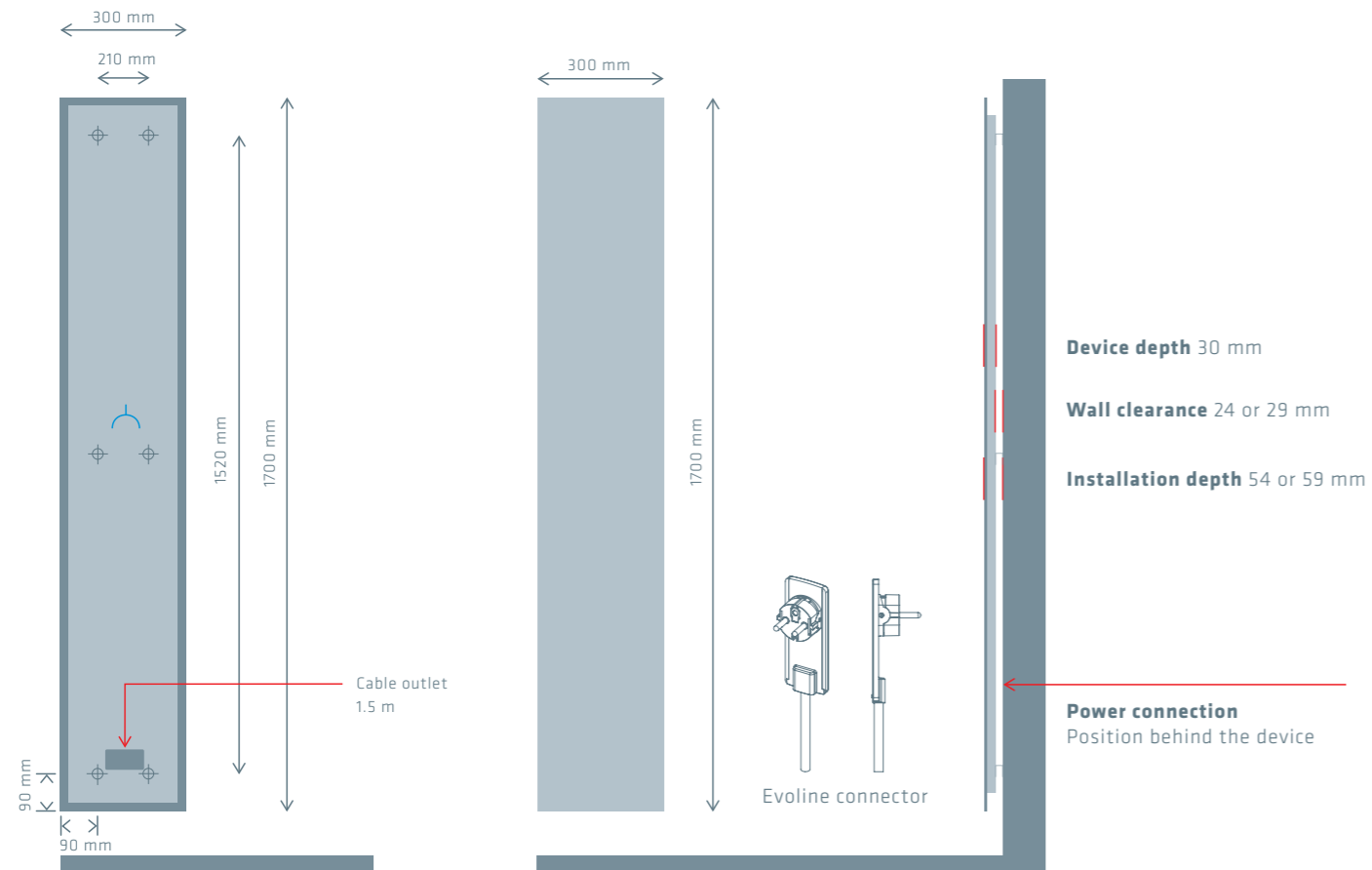
<b>Front</b>	Low iron oxide, toughened safety glass with special coating and high radiation value. In matt white (RAL 9010) and matt black (RAL 9005). Also available as customised image panel heater. All versions have temperature-resistant ceramic screen printing.	<b>Voltage</b> <b>Max. power</b> <b>Lift &amp; Coast System</b>	230 VAC, 50Hz 430 W continuously variable 0 to 430 watts
<b>Back</b>	Powder-coated, mineral insulation RAL 9010 (matt white finish) RAL 9005 (matt black finish)	<b>Max. current</b> <b>Protection class</b>	1.9 A IP 44
<b>Functions</b>	- Integrated Lift & Coast System with electronic surface temperature control - Thermal fuses	<b>Max. temperature of front</b> <b>Max. temperature of back</b>  <b>Installation</b>	86°C 28°C  Suitable for ceiling and wall mounting or with accessories Art. no. 168 131 000 for integrated installation.

Back view

Front view

Side view

Hole pattern oeko 400-30



Dimensions in mm	Weight	Colour	Art. no.
300 x 1700 x 30	12 kg	matt white	388 021 000
300 x 1700 x 30	12 kg	matt black	388 022 000

Delta Dore Combination Plug & Heat

Dimensions in mm	Weight	Colour	Art. no.
300 x 1700 x 30	12 kg	matt white	388 021 296
300 x 1700 x 30	12 kg	matt black	388 022 296

Heat output	Symbol	oeko 400-30
Nominal heat output	$P_{nom}$	0.43 kW
Minimum heat output (indicative)	$P_{min}$	0.0 kW
Maximum continuous heat output	$P_{max,c}$	0.43 kW
Infinitely variable power consumption in operation	$P_{Operation}$	0.0 – 0.43 kW

Auxiliary electricity consumption	Symbol	oeko 400-30
At nominal heat output	$el_{max}$	0.0 kW
At minimum heat output	$el_{min}$	0.0 kW
In standby mode	$el_{SB}$	0.0 kW

Type of heat output / room temperature control*	
Single stage heat output and no room temperature control	no
Two or more manual stages, no room temperature control	no
Room temperature control with mechanical thermostat	no
With electronic room temperature control	no
Electronic room temperature control and time of day management	no
Electronic room temperature control and day of week management	yes

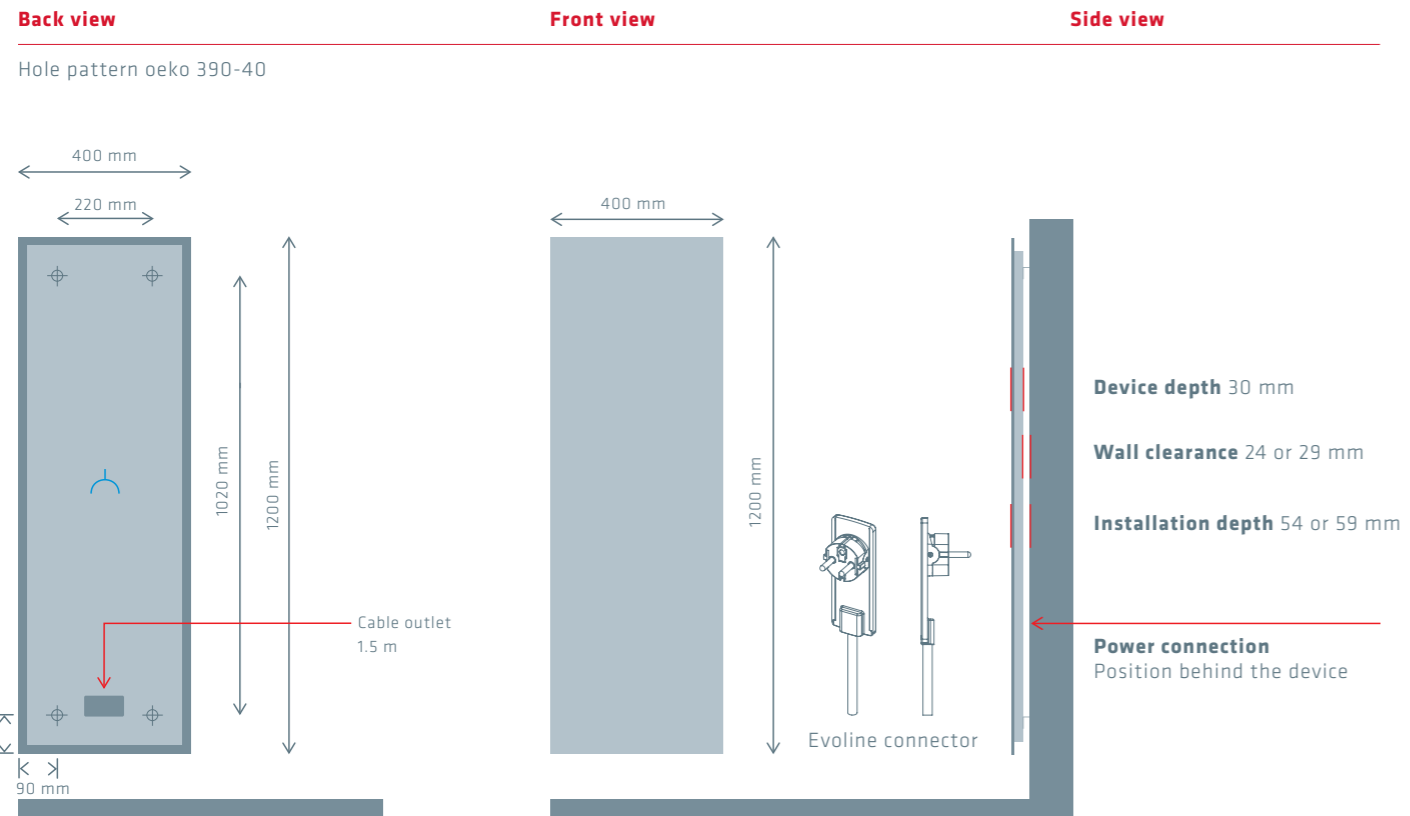
Other control options*	
Room temperature control with presence detection	optional
Room temperature control with open window detection	optional
With distance control option	yes
With adaptive start control	yes
With operating time limitation	yes
With black bulb sensor	no

\*In combination with the control technology recommended by Oekoswiss.

Oekoswiss Energy AG, Mülacher 6 | CH-60 24 Hildisrieden  
Product information pursuant to Regulation (EU) 2015/1188 (Ecodesign Directive)

Technical data

<b>Front</b>	Low iron oxide, toughened safety glass with special coating and high radiation value. In matt white (RAL 9010) and matt black (RAL 9005). Also available as customised image panel heater. All versions have temperature-resistant ceramic screen printing.	<b>Voltage</b> <b>Max. power</b> <b>Lift &amp; Coast System</b>	230 VAC, 50Hz 440 W continuously variable 0 to 440 watts
<b>Back</b>	Powder-coated, mineral insulation RAL 9010 (matt white finish) RAL 9005 (matt black finish)	<b>Max. current</b> <b>Protection class</b>	1.9 A IP 44
<b>Functions</b>	- Integrated Lift & Coast System with electronic surface temperature control - Thermal fuses	<b>Max. temperature of front</b> <b>Max. temperature of back</b>  <b>Installation</b>	86°C 28°C  Suitable for ceiling and wall mounting or with accessories Art. no. 168 131 000 for integrated installation.



Dimensions in mm	Weight	Colour	Art. no.
400 x 1200 x 30	9.5 kg	matt white	388 031 000
400 x 1200 x 30	9.5 kg	matt black	388 032 000

Delta Dore Combination Plug & Heat

Dimensions in mm	Weight	Colour	Art. no.
400 x 1200 x 30	9.5 kg	matt white	388 031 296
400 x 1200 x 30	9.5 kg	matt black	388 032 296

Heat output	Symbol	oeko 390-40
Nominal heat output	$P_{nom}$	0.44 kW
Minimum heat output (indicative)	$P_{min}$	0.0 kW
Maximum continuous heat output	$P_{max,c}$	0.44 kW
Infinitely variable power consumption in operation	$P_{Operation}$	0.0 – 0.44 kW

Auxiliary electricity consumption	Symbol	oeko 390-40
At nominal heat output	$el_{max}$	0.0 kW
At minimum heat output	$el_{min}$	0.0 kW
In standby mode	$el_{SB}$	0.0 kW

Type of heat output / room temperature control*	
Single stage heat output and no room temperature control	no
Two or more manual stages, no room temperature control	no
Room temperature control with mechanical thermostat	no
With electronic room temperature control	no
Electronic room temperature control and time of day management	no
Electronic room temperature control and day of week management	yes

Other control options*	
Room temperature control with presence detection	optional
Room temperature control with open window detection	optional
With distance control option	yes
With adaptive start control	yes
With operating time limitation	yes
With black bulb sensor	no

\*In combination with the control technology recommended by Oekoswiss.

Oekoswiss Energy AG, Mülacher 6 | CH-60 24 Hildisrieden  
Product information pursuant to Regulation (EU) 2015/1188 (Ecodesign Directive)



Technical data

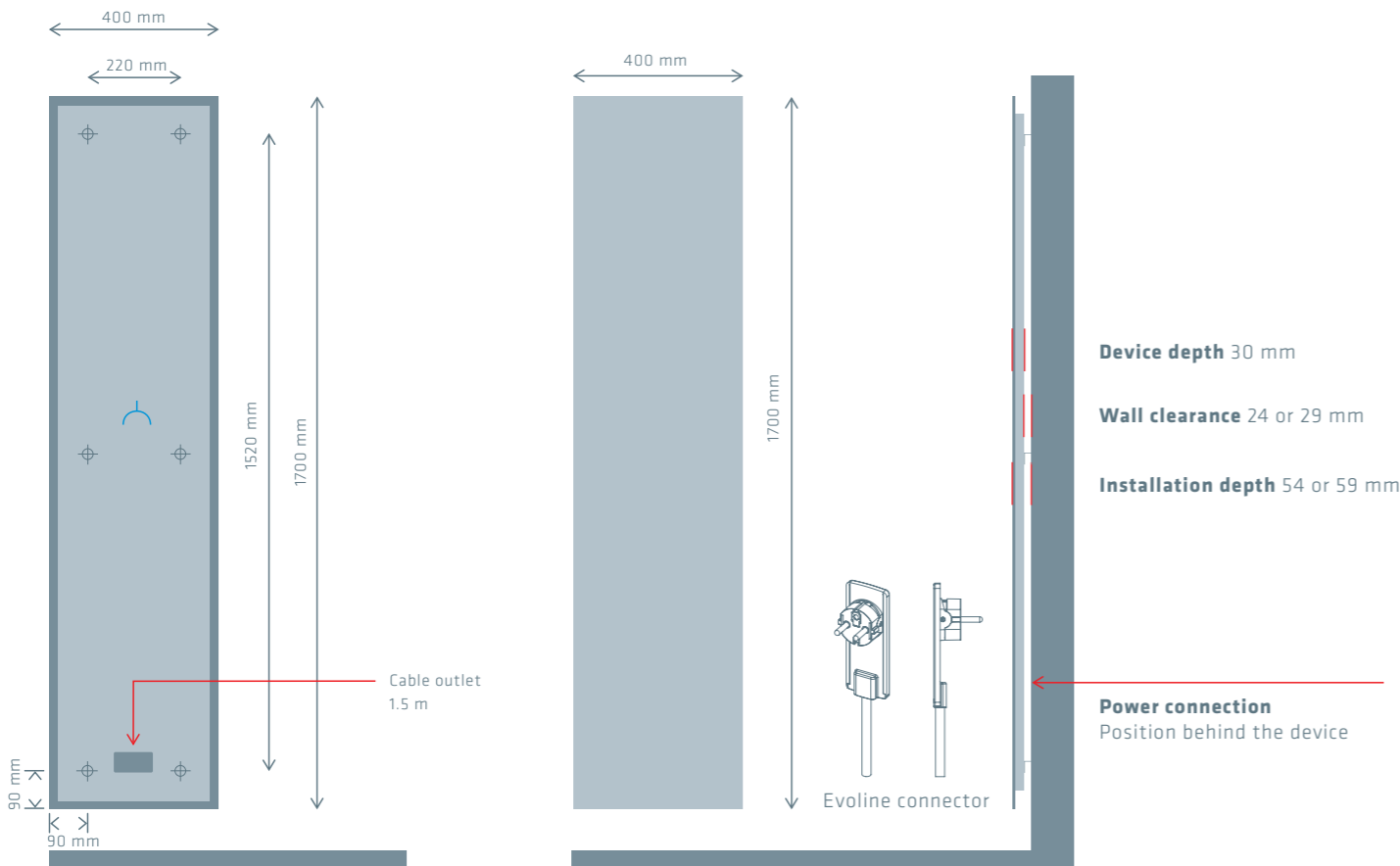
<b>Front</b>	Low iron oxide, toughened safety glass with special coating and high radiation value. In matt white (RAL 9010) and matt black (RAL 9005). Also available as customised image panel heater. All versions have temperature-resistant ceramic screen printing.	<b>Voltage</b> <b>Max. power</b> <b>Lift &amp; Coast System</b>	230 VAC, 50Hz 630 W continuously variable 0 to 630 watts
<b>Back</b>	Powder-coated, mineral insulation RAL 9010 (matt white finish) RAL 9005 (matt black finish)	<b>Max. current</b> <b>Protection class</b>	2.7 A IP 44
<b>Functions</b>	- Integrated Lift & Coast System with electronic surface temperature control - Thermal fuses	<b>Max. temperature of front</b> <b>Max. temperature of back</b>  <b>Installation</b>	86°C 28°C  Suitable for ceiling and wall mounting or with accessories Art. no. 168 131 000 for integrated installation.

Back view

Front view

Side view

Hole pattern oeko 570-40



Dimensions in mm	Weight	Colour	Art. no.
400 x 1700 x 30	14.5 kg	matt white	388 041 000
400 x 1700 x 30	14.5 kg	matt black	388 042 000

Delta Dore Combination Plug & Heat

Dimensions in mm	Weight	Colour	Art. no.
400 x 1700 x 30	14.5 kg	matt white	388 041 296
400 x 1700 x 30	14.5 kg	matt black	388 042 296

Heat output	Symbol	oeko 570-40
Nominal heat output	$P_{nom}$	0.63 kW
Minimum heat output (indicative)	$P_{min}$	0.0 kW
Maximum continuous heat output	$P_{max,c}$	0.63 kW
Infinitely variable power consumption in operation	$P_{Operation}$	0.0 – 0.63 kW

Auxiliary electricity consumption	Symbol	oeko 570-40
At nominal heat output	$el_{max}$	0.0 kW
At minimum heat output	$el_{min}$	0.0 kW
In standby mode	$el_{SB}$	0.0 kW

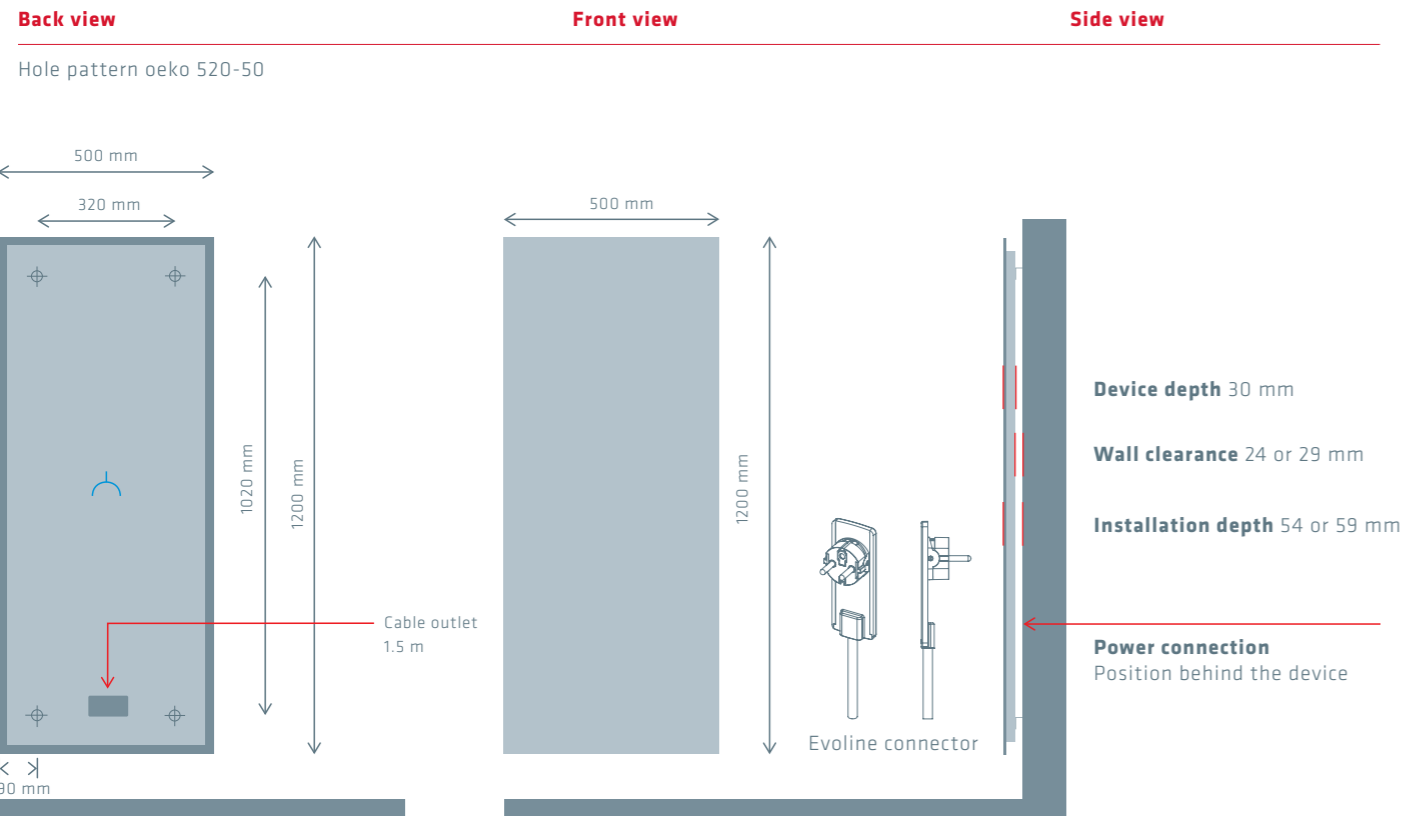
Type of heat output / room temperature control*	
Single stage heat output and no room temperature control	no
Two or more manual stages, no room temperature control	no
Room temperature control with mechanical thermostat	no
With electronic room temperature control	no
Electronic room temperature control and time of day management	no
Electronic room temperature control and day of week management	yes

Other control options*	
Room temperature control with presence detection	optional
Room temperature control with open window detection	optional
With distance control option	yes
With adaptive start control	yes
With operating time limitation	yes
With black bulb sensor	no

\*In combination with the control technology recommended by Oekoswiss.

Technical data

<b>Front</b>	Low iron oxide, toughened safety glass with special coating and high radiation value. In matt white (RAL 9010) and matt black (RAL 9005). Also available as customised image panel heater. All versions have temperature-resistant ceramic screen printing.	<b>Voltage</b> <b>Max. power</b> <b>Lift &amp; Coast System</b>	230 VAC, 50Hz 560 W continuously variable 0 to 560 watts
<b>Back</b>	Powder-coated, mineral insulation RAL 9010 (matt white finish) RAL 9005 (matt black finish)	<b>Max. current</b> <b>Protection class</b>	2.4 A IP 44
<b>Functions</b>	<ul style="list-style-type: none"> <li>- Integrated Lift &amp; Coast System with electronic surface temperature control</li> <li>- Thermal fuses</li> </ul>	<b>Max. temperature of front</b> <b>Max. temperature of back</b>	86°C 28°C
		<b>Installation</b>	Suitable for ceiling and wall mounting or with accessories Art. no. 168 131 000 for integrated installation.



Dimensions in mm	Weight	Colour	Art. no.
500 x 1200 x 30	11.5 kg	matt white	388 051 000
500 x 1200 x 30	11.5 kg	matt black	388 052 000

Delta Dore Combination Plug & Heat

Dimensions in mm	Weight	Colour	Art. no.
500 x 1200 x 30	11.5 kg	matt white	388 051 296
500 x 1200 x 30	11.5 kg	matt black	388 052 296

Heat output	Symbol	oeko 520-50
Nominal heat output	P <sub>nom</sub>	0.56 kW
Minimum heat output (indicative)	P <sub>min</sub>	0.0 kW
Maximum continuous heat output	P <sub>max.c</sub>	0.56 kW
Infinitely variable power consumption in operation	P <sub>Operation</sub>	0.0 – 0.56 kW

Auxiliary electricity consumption	Symbol	oeko 520-50
At nominal heat output	el <sub>max</sub>	0.0 kW
At minimum heat output	el <sub>min</sub>	0.0 kW
In standby mode	el <sub>SB</sub>	0.0 kW

Type of heat output / room temperature control*	
Single stage heat output and no room temperature control	no
Two or more manual stages, no room temperature control	no
Room temperature control with mechanical thermostat	no
With electronic room temperature control	no
Electronic room temperature control and time of day management	no
Electronic room temperature control and day of week management	yes

Other control options*	
Room temperature control with presence detection	optional
Room temperature control with open window detection	optional
With distance control option	yes
With adaptive start control	yes
With operating time limitation	yes
With black bulb sensor	no

\*In combination with the control technology recommended by Oekoswiss.



Technical data

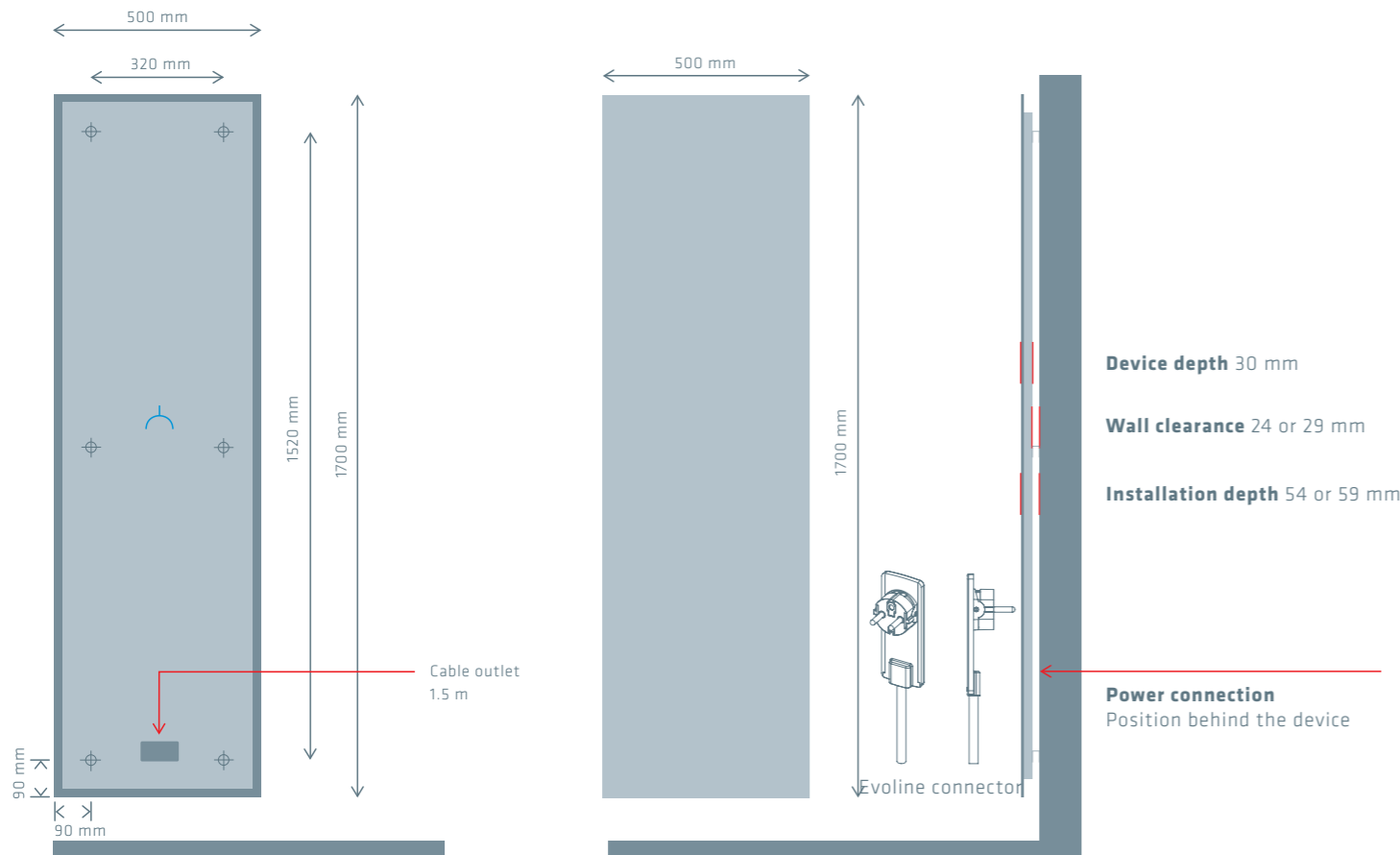
<b>Front</b>	Low iron oxide, toughened safety glass with special coating and high radiation value. In matt white (RAL 9010) and matt black (RAL 9005). Also available as customised image panel heater. All versions have temperature-resistant ceramic screen printing.	<b>Voltage</b> <b>Max. power</b> <b>Lift &amp; Coast System</b>	230 VAC, 50Hz 800 W continuously variable 0 to 800 watts
<b>Back</b>	Powder-coated, mineral insulation RAL 9010 (matt white finish) RAL 9005 (matt black finish)	<b>Max. current</b> <b>Protection class</b>	3.5 A IP 44
<b>Functions</b>	- Integrated Lift & Coast System with electronic surface temperature control - Thermal fuses	<b>Max. temperature of front</b> <b>Max. temperature of back</b>  <b>Installation</b>	86°C 28°C  Suitable for ceiling and wall mounting or with accessories Art. no. 168 131 000 for integrated installation.

Back view

Front view

Side view

Hole pattern oeko 720-50



Dimensions in mm	Weight	Colour	Art. no.
500 x 1700 x 30	16 kg	matt white	388 061 000
500 x 1700 x 30	16 kg	matt black	388 062 000

Delta Dore Combination Plug & Heat

Dimensions in mm	Weight	Colour	Art. no.
500 x 1700 x 30	16 kg	matt white	388 061 296
500 x 1700 x 30	16 kg	matt black	388 062 296

Heat output	Symbol	oeko 720-50
Nominal heat output	$P_{nom}$	0.8 kW
Minimum heat output (indicative)	$P_{min}$	0.0 kW
Maximum continuous heat output	$P_{max,c}$	0.8 kW
Infinitely variable power consumption in operation	$P_{Operation}$	0.0 – 0.8 kW

Auxiliary electricity consumption	Symbol	oeko 720-50
At nominal heat output	$el_{max}$	0.0 kW
At minimum heat output	$el_{min}$	0.0 kW
In standby mode	$el_{SB}$	0.0 kW

Type of heat output / room temperature control*	
Single stage heat output and no room temperature control	no
Two or more manual stages, no room temperature control	no
Room temperature control with mechanical thermostat	no
With electronic room temperature control	no
Electronic room temperature control and time of day management	no
Electronic room temperature control and day of week management	yes

Other control options*	
Room temperature control with presence detection	optional
Room temperature control with open window detection	optional
With distance control option	yes
With adaptive start control	yes
With operating time limitation	yes
With black bulb sensor	no

\*In combination with the control technology recommended by Oekoswiss.

Technical data

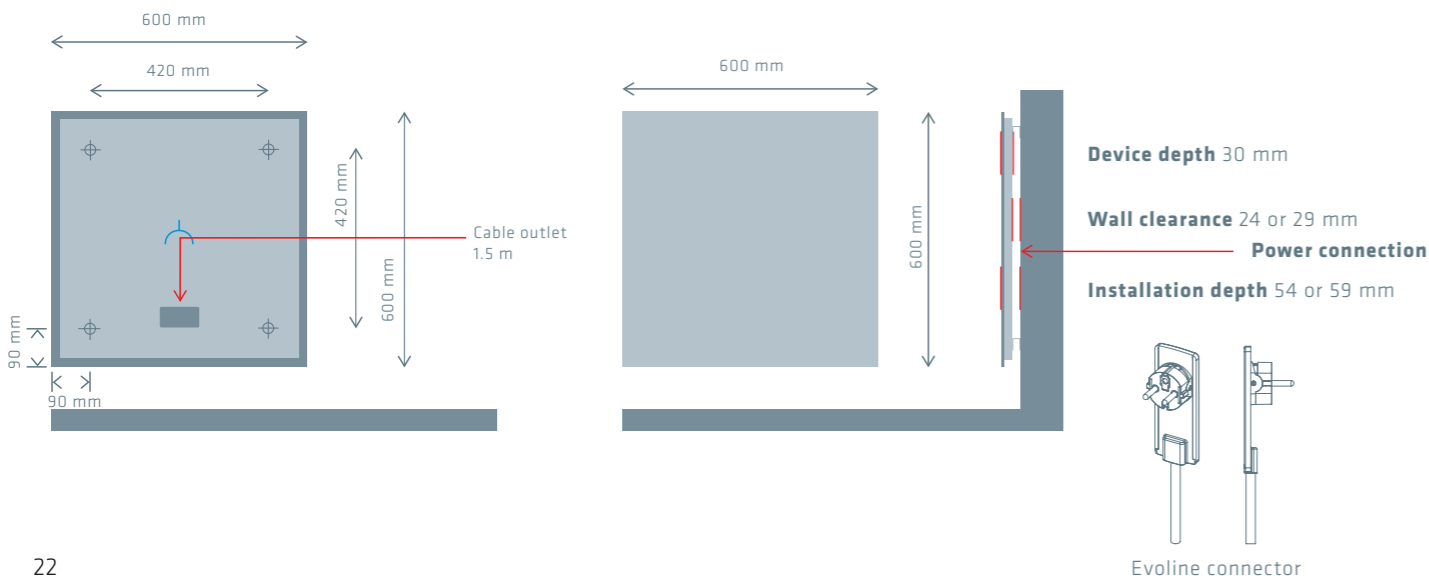
<b>Front</b>	Low iron oxide, toughened safety glass with special coating and high radiation value. In matt white (RAL 9010) and matt black (RAL 9005). Also available as customised image panel heater. All versions have temperature-resistant ceramic screen printing.	<b>Voltage</b> <b>Max. power</b> <b>Lift &amp; Coast System</b>	230 VAC, 50Hz 320 W continuously variable 0 to 320 watts
<b>Back</b>	Powder-coated, mineral insulation RAL 9010 (matt white finish) RAL 9005 (matt black finish)	<b>Max. current</b> <b>Protection class</b>	1.4 A IP 44
<b>Functions</b>	- Integrated Lift & Coast System with electronic surface temperature control - Thermal fuses	<b>Max. temperature of front</b> <b>Max. temperature of back</b>  <b>Installation</b>	86°C 28°C  Suitable for ceiling and wall mounting or with accessories Art. no. 168 131 000 for integrated installation.

Back view

Front view

Side view

Hole pattern oeko 300-60



Dimensions in mm	Weight	Colour	Art. no.
600 x 600 x 30	8 kg	matt white	388 071 000
600 x 600 x 30	8 kg	matt black	388 072 000

Delta Dore Combination Plug & Heat

Dimensions in mm	Weight	Colour	Art. no.
600 x 600 x 30	8 kg	matt white	388 071 296
600 x 600 x 30	8 kg	matt black	388 072 296

Heat output	Symbol	oeko 300-60
Nominal heat output	$P_{nom}$	0.32 kW
Minimum heat output (indicative)	$P_{min}$	0.0 kW
Maximum continuous heat output	$P_{max,c}$	0.32 kW
Infinitely variable power consumption in operation	$P_{Operation}$	0.0 – 0.32 kW

Auxiliary electricity consumption	Symbol	oeko 300-60
At nominal heat output	$el_{max}$	0.0 kW
At minimum heat output	$el_{min}$	0.0 kW
In standby mode	$el_{SB}$	0.0 kW

Type of heat output / room temperature control*	
Single stage heat output and no room temperature control	no
Two or more manual stages, no room temperature control	no
Room temperature control with mechanical thermostat	no
With electronic room temperature control	no
Electronic room temperature control and time of day management	no
Electronic room temperature control and day of week management	yes

Other control options*	
Room temperature control with presence detection	optional
Room temperature control with open window detection	optional
With distance control option	yes
With adaptive start control	yes
With operating time limitation	yes
With black bulb sensor	no

\*In combination with the control technology recommended by Oekoswiss.

Oekoswiss Energy AG, Mülacher 6 | CH-60 24 Hildisrieden  
Product information pursuant to Regulation (EU) 2015/1188 (Ecodesign Directive)



Technical data

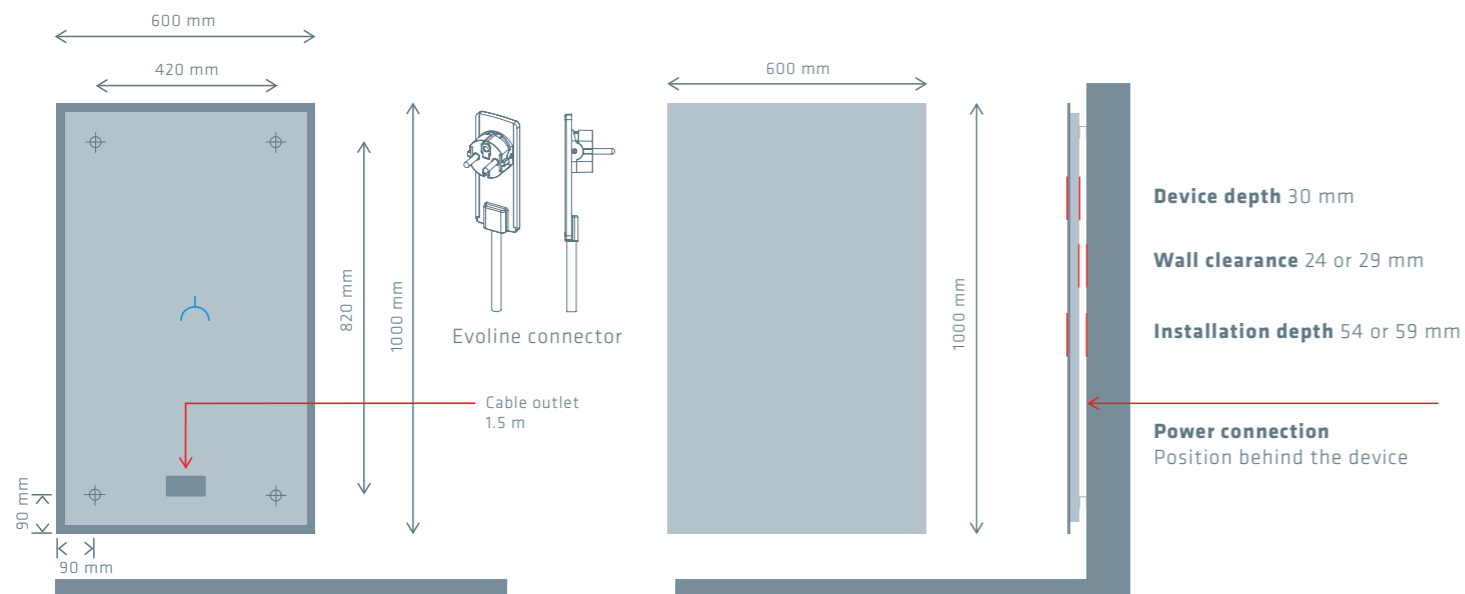
<b>Front</b>	Low iron oxide, toughened safety glass with special coating and high radiation value. In matt white (RAL 9010) and matt black (RAL 9005). Also available as customised image panel heater. All versions have temperature-resistant ceramic screen printing.	<b>Voltage</b> <b>Max. power</b> <b>Lift &amp; Coast System</b>	230 VAC, 50Hz 580 W continuously variable 0 to 580 watts
<b>Back</b>	Powder-coated, mineral insulation RAL 9010 (matt white finish) RAL 9005 (matt black finish)	<b>Max. current</b> <b>Protection class</b>	2.5 A IP 44
<b>Functions</b>	- Integrated Lift & Coast System with electronic surface temperature control - Thermal fuses	<b>Max. temperature of front</b> <b>Max. temperature of back</b>  <b>Installation</b>	86°C 28°C  Suitable for ceiling and wall mounting or with accessories Art. no. 168 131 000 for integrated installation.

Back view

Front view

Side view

Hole pattern oeko 520-60



Dimensions in mm	Weight	Colour	Art. no.
600 x 1000 x 30	12 kg	matt white	388 081 000
600 x 1000 x 30	12 kg	matt black	388 082 000

Delta Dore Combination Plug & Heat

Dimensions in mm	Weight	Colour	Art. no.
600 x 1000 x 30	12 kg	matt white	388 081 296
600 x 1000 x 30	12 kg	matt black	388 082 296

Heat output	Symbol	oeko 520-60
Nominal heat output	$P_{nom}$	0.58 kW
Minimum heat output (indicative)	$P_{min}$	0.0 kW
Maximum continuous heat output	$P_{max,c}$	0.58 kW
Infinitely variable power consumption in operation	$P_{Operation}$	0.0 – 0.58 kW

Auxiliary electricity consumption	Symbol	oeko 520-60
At nominal heat output	$el_{max}$	0.0 kW
At minimum heat output	$el_{min}$	0.0 kW
In standby mode	$el_{SB}$	0.0 kW

Type of heat output / room temperature control*	
Single stage heat output and no room temperature control	no
Two or more manual stages, no room temperature control	no
Room temperature control with mechanical thermostat	no
With electronic room temperature control	no
Electronic room temperature control and time of day management	no
Electronic room temperature control and day of week management	yes

Other control options*	
Room temperature control with presence detection	optional
Room temperature control with open window detection	optional
With distance control option	yes
With adaptive start control	yes
With operating time limitation	yes
With black bulb sensor	no

\*In combination with the control technology recommended by Oekoswiss.

Technical data

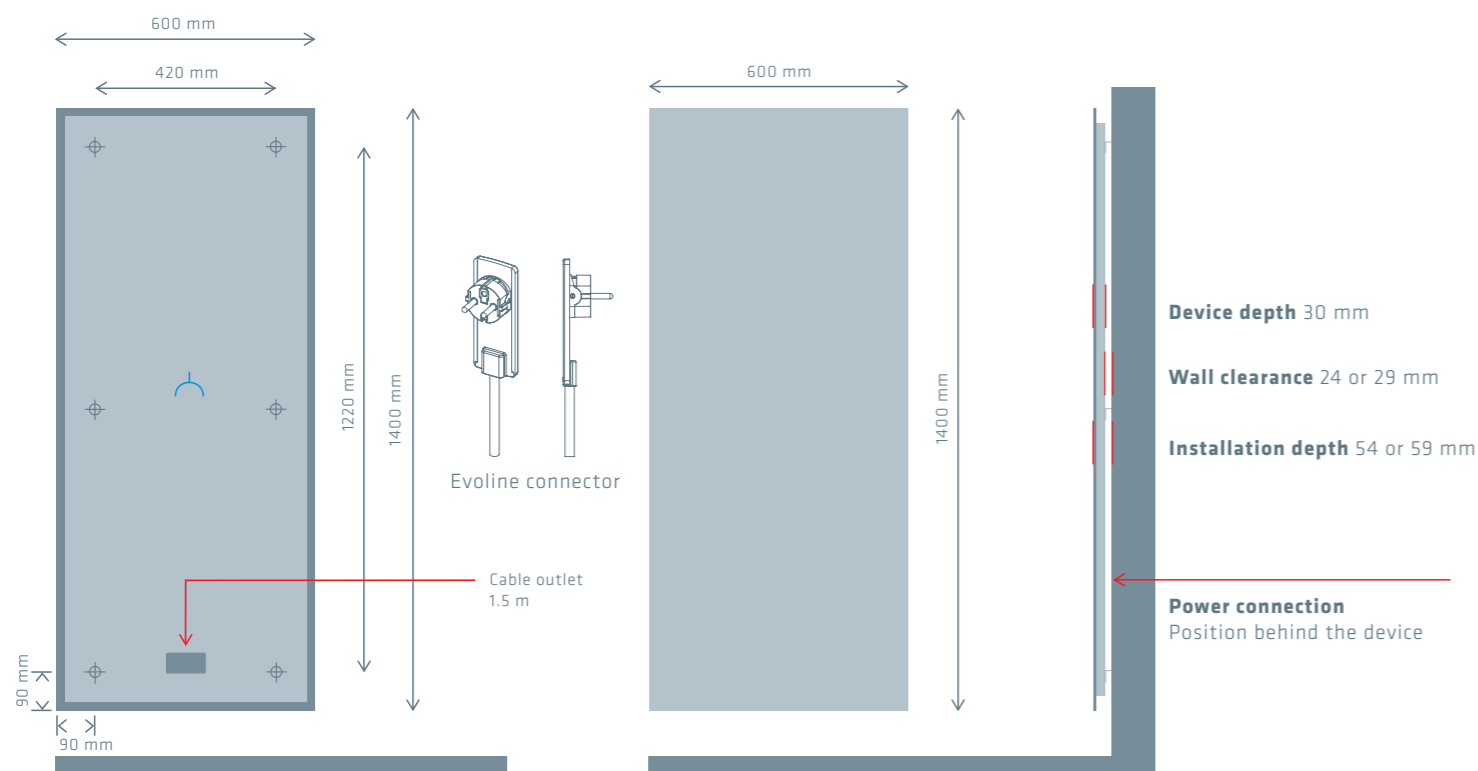
<b>Front</b>	Low iron oxide, toughened safety glass with special coating and high radiation value. In matt white (RAL 9010) and matt black (RAL 9005). Also available as customised image panel heater. All versions have temperature-resistant ceramic screen printing.	<b>Voltage</b> <b>Max. power</b> <b>Lift &amp; Coast System</b>	230 VAC, 50Hz 830 W continuously variable 0 to 830 watts
<b>Back</b>	Powder-coated, mineral insulation RAL 9010 (matt white finish) RAL 9005 (matt black finish)	<b>Max. current</b> <b>Protection class</b>	3.6 A IP 44
<b>Functions</b>	- Integrated Lift & Coast System with electronic surface temperature control - Thermal fuses	<b>Max. temperature of front</b> <b>Max. temperature of back</b>  <b>Installation</b>	86°C 28°C  Suitable for ceiling and wall mounting or with accessories Art. no. 168 131 000 for integrated installation.

Back view

Front view

Side view

Hole pattern oeko 720-60



Dimensions in mm	Weight	Colour	Art. no.
600 x 1400 x 30	16 kg	matt white	388 091 000
600 x 1400 x 30	16 kg	matt black	388 092 000

Delta Dore Combination Plug & Heat

Dimensions in mm	Weight	Colour	Art. no.
600 x 1400 x 30	16 kg	matt white	388 091 296
600 x 1400 x 30	16 kg	matt black	388 092 296

Heat output	Symbol	oeko 720-60
Nominal heat output	$P_{nom}$	0.83 kW
Minimum heat output (indicative)	$P_{min}$	0.0 kW
Maximum continuous heat output	$P_{max,c}$	0.83 kW
Infinitely variable power consumption in operation	$P_{operation}$	0.0 – 0.83 kW

Auxiliary electricity consumption	Symbol	oeko 720-60
At nominal heat output	$el_{max}$	0.0 kW
At minimum heat output	$el_{min}$	0.0 kW
In standby mode	$el_{SB}$	0.0 kW

Type of heat output / room temperature control*	
Single stage heat output and no room temperature control	no
Two or more manual stages, no room temperature control	no
Room temperature control with mechanical thermostat	no
With electronic room temperature control	no
Electronic room temperature control and time of day management	no
Electronic room temperature control and day of week management	yes

Other control options*	
Room temperature control with presence detection	optional
Room temperature control with open window detection	optional
With distance control option	yes
With adaptive start control	yes
With operating time limitation	yes
With black bulb sensor	no

\*In combination with the control technology recommended by Oekoswiss.

Oekoswiss Energy AG, Mülacher 6 | CH-60 24 Hildisrieden  
Product information pursuant to Regulation (EU) 2015/1188 (Ecodesign Directive)



Technical data

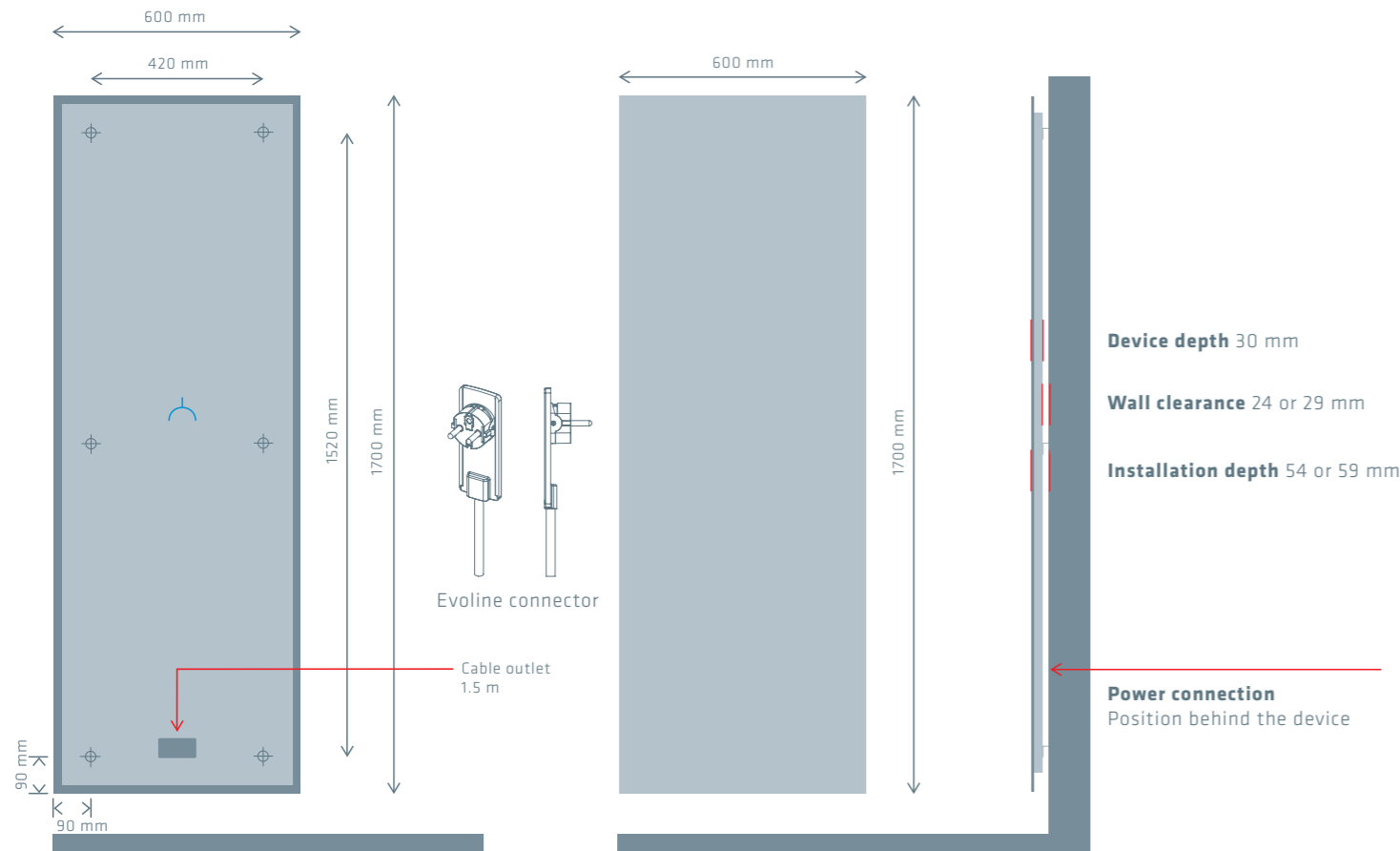
<b>Front</b>	Low iron oxide, toughened safety glass with special coating and high radiation value. In matt white (RAL 9010) and matt black (RAL 9005). Also available as customised image panel heater. All versions have temperature-resistant ceramic screen printing.	<b>Voltage</b> <b>Max. power</b> <b>Lift &amp; Coast System</b>	230 VAC, 50Hz 1000 W continuously variable 0 to 1000 watts
<b>Back</b>	Powder-coated, mineral insulation RAL 9010 (matt white finish) RAL 9005 (matt black finish)	<b>Max. current</b> <b>Protection class</b>	4.3 A IP 44
<b>Functions</b>	- Integrated Lift & Coast System with electronic surface temperature control - Thermal fuses	<b>Max. temperature of front</b> <b>Max. temperature of back</b>  <b>Installation</b>	86°C 28°C  Suitable for ceiling and wall mounting or with accessories Art. no. 168 131 000 for integrated installation.

Back view

Front view

Side view

Hole pattern oeko 890-60



Dimensions in mm	Weight	Colour	Art. no.
600 x 1700 x 30	19 kg	matt white	388 101 000
600 x 1700 x 30	19 kg	matt black	388 102 000

Delta Dore Combination Plug & Heat

Dimensions in mm	Weight	Colour	Art. no.
600 x 1700 x 30	19 kg	matt white	388 101 296
600 x 1700 x 30	19 kg	matt black	388 102 296

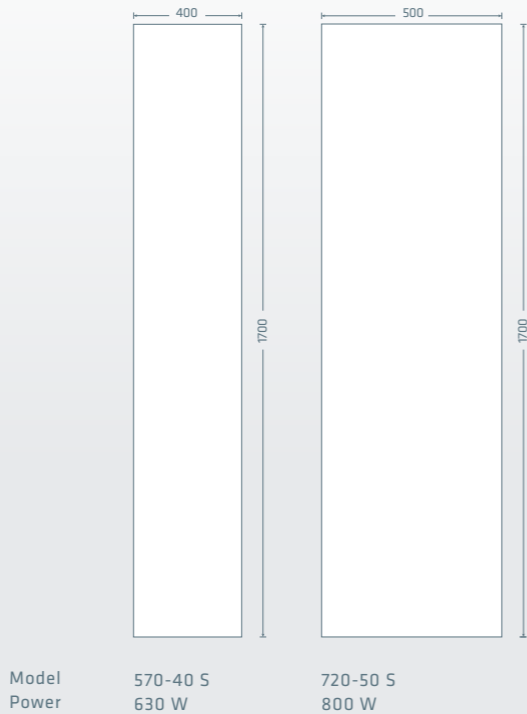
Heat output	Symbol	oeko 890-60
Nominal heat output	$P_{nom}$	1.0 kW
Minimum heat output (indicative)	$P_{min}$	0.0 kW
Maximum continuous heat output	$P_{max,c}$	1.0 kW
Infinitely variable power consumption in operation	$P_{Operation}$	0.0 - 1.0 kW

Auxiliary electricity consumption	Symbol	oeko 890-60
At nominal heat output	$el_{max}$	0.0 kW
At minimum heat output	$el_{min}$	0.0 kW
In standby mode	$el_{SB}$	0.0 kW

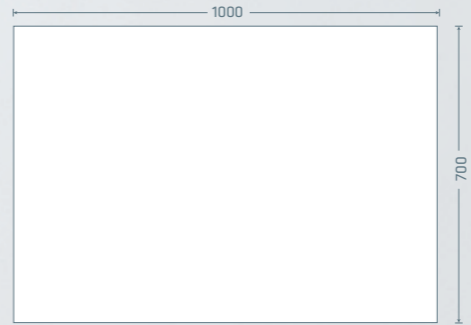
Type of heat output / room temperature control*	
Single stage heat output and no room temperature control	no
Two or more manual stages, no room temperature control	no
Room temperature control with mechanical thermostat	no
With electronic room temperature control	no
Electronic room temperature control and time of day management	no
Electronic room temperature control and day of week management	yes

Other control options*	
Room temperature control with presence detection	optional
Room temperature control with open window detection	optional
With distance control option	yes
With adaptive start control	yes
With operating time limitation	yes
With black bulb sensor	no

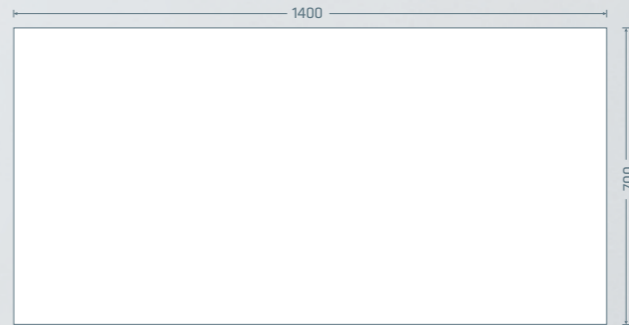
\*In combination with the control technology recommended by Oekoswiss.



Model 300-70 S  
Power 320 W



Model 520-70 S  
Power 580 W



Model 720-70 S  
Power 800 W

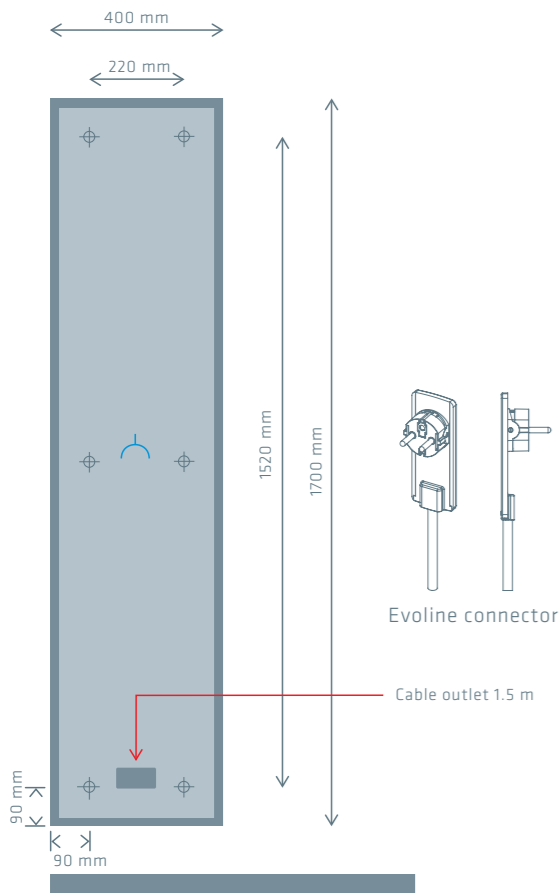


## Technical data

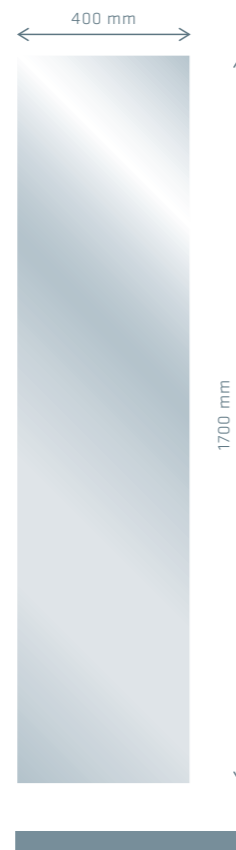
<b>Front</b>	The hardening process to which ESG glass is subjected results in a distortion of the mirror image during the conventional manufacturing processes. Thanks to a special manufacturing procedure, our ESG mirror heaters remain low in distortion.	<b>Voltage</b> 230 VAC, 50Hz <b>Max. power</b> 630 W <b>Lift &amp; Coast System</b> continuously variable 0 to 630 watts
<b>Back</b>	Powder-coated, mineral insulation matt white (RAL 9010).	<b>Max. current</b> 2.7 A <b>Protection class</b> IP 44
<b>Functions</b>	- Integrated Lift & Coast System with electronic surface temperature control - Thermal fuses	<b>Max. temperature of front</b> 65°C <b>Max. temperature of back</b> 26°C
		<b>Installation</b> Suitable for ceiling and wall mounting or with accessories Art. no. 168 131 000 for integrated installation.

### Back view

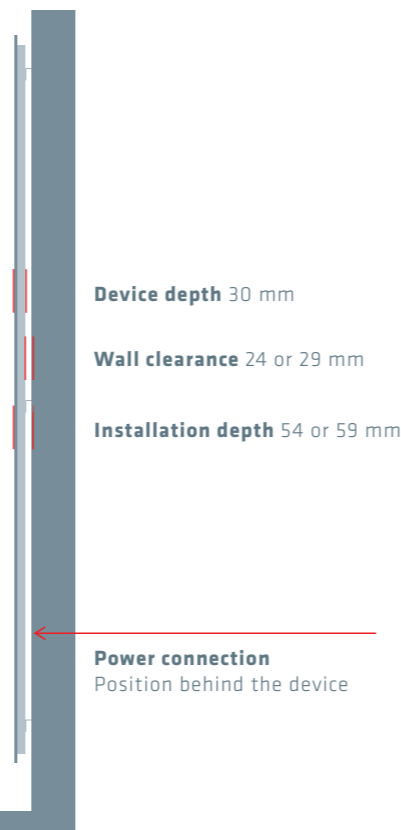
Hole pattern  
Model 570-40 S



### Front view



### Side view



Model	Dimensions in mm	Weight	Ausführung	Art. no.
oeko 570-40 S	400 x 1700 x 22	15 kg	Spiegel	388 048 000

Heat output	Symbol	oeko 570-40 S
Nominal heat output	$P_{nom}$	0.63 kW
Minimum heat output (indicative)	$P_{min}$	0.0 kW
Maximum continuous heat output	$P_{max,c}$	0.63 kW
Infinitely variable power consumption in operation	$P_{Operation}$	0.0 - 0.63 kW

Auxiliary electricity consumption	Symbol	oeko 570-40 S
At nominal heat output	$el_{max}$	0.0 kW
At minimum heat output	$el_{min}$	0.0 kW
In standby mode	$el_{SB}$	0.0 kW

### Type of heat output / room temperature control\*

Single stage heat output and no room temperature control	no
Two or more manual stages, no room temperature control	no
Room temperature control with mechanical thermostat	no
With electronic room temperature control	no
Electronic room temperature control and time of day management	no
Electronic room temperature control and day of week management	yes

### Other control options\*

Room temperature control with presence detection	optional
Room temperature control with open window detection	optional
With distance control option	yes
With adaptive start control	yes
With operating time limitation	yes
With black bulb sensor	no

\*In combination with the control technology recommended by Oekoswiss.

Oekoswiss Energy AG, Mülacher 6 | CH-60 24 Hildisrieden  
Product information pursuant to Regulation (EU) 2015/1188 (Ecodesign Directive)

## Technical data

**Front** The hardening process to which ESG glass is subjected results in a distortion of the mirror image during the conventional manufacturing processes. Thanks to a special manufacturing procedure, our ESG mirror heaters remain low in distortion.

**Back** Powder-coated, mineral insulation matt white (RAL 9010).

**Functions**

- Integrated Lift & Coast System with electronic surface temperature control
- Thermal fuses

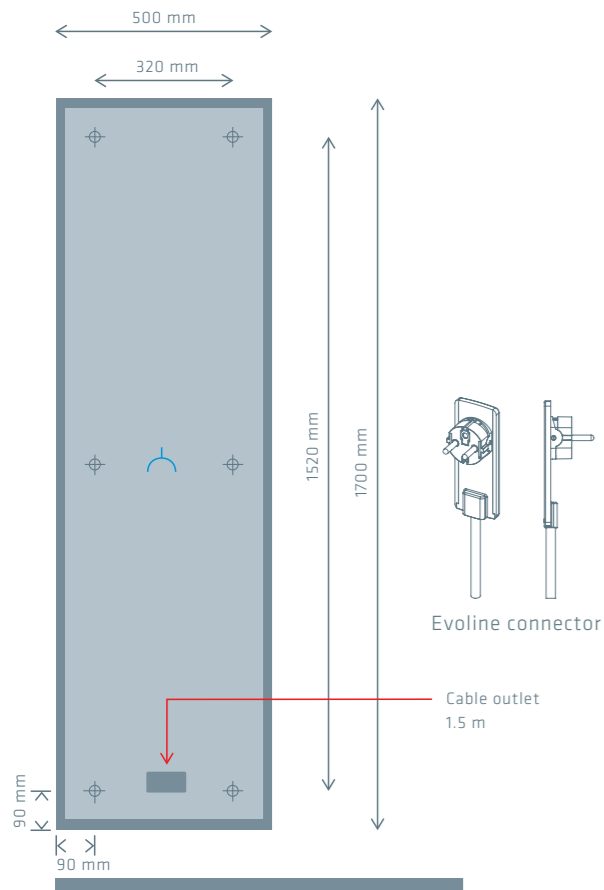
**Voltage** 230 VAC, 50Hz  
**Max. power** 800 W  
**Lift & Coast System** continuously variable 0 to 800 watts  
**Max. current** 3.5 A  
**Protection class** IP 44

**Max. temperature of front** 65°C  
**Max. temperature of back** 26°C

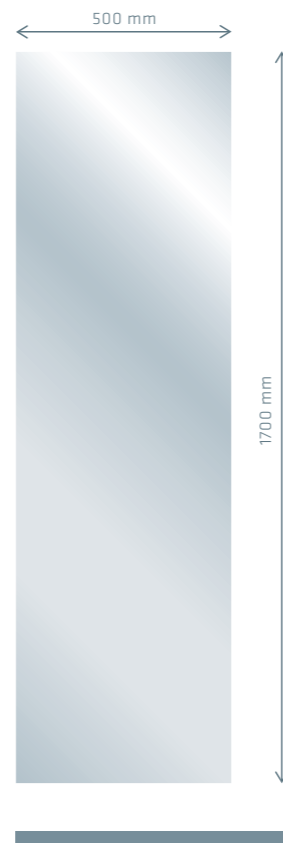
**Installation** Suitable for ceiling and wall mounting or with accessories Art. no. 168 131 000 for integrated installation.

### Back view

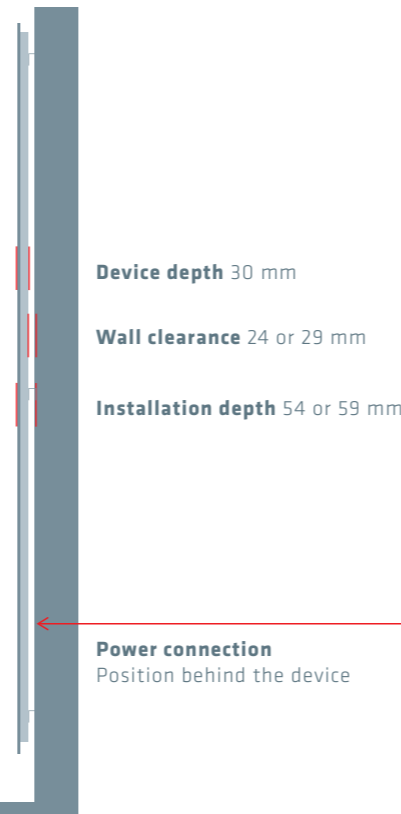
Hole pattern Model 720-50 S



### Front view



### Side view



Model	Dimensions in mm	Weight	Ausführung	Art. no.
oeko 720-50 S	500 x 1700 x 22	18 kg	Spiegel	388 068 000

Heat output	Symbol	oeko 720-50 S
Nominal heat output	$P_{nom}$	0.8 kW
Minimum heat output (indicative)	$P_{min}$	0.0 kW
Maximum continuous heat output	$P_{max,c}$	0.8 kW
Infinitely variable power consumption in operation	$P_{Operation}$	0.0 - 0.8 kW

Auxiliary electricity consumption	Symbol	oeko 720-50 S
At nominal heat output	$el_{max}$	0.0 kW
At minimum heat output	$el_{min}$	0.0 kW
In standby mode	$el_{SB}$	0.0 kW

### Type of heat output / room temperature control\*

Single stage heat output and no room temperature control	no
Two or more manual stages, no room temperature control	no
Room temperature control with mechanical thermostat	no
With electronic room temperature control	no
Electronic room temperature control and time of day management	no
Electronic room temperature control and day of week management	yes

### Other control options\*

Room temperature control with presence detection	optional
Room temperature control with open window detection	optional
With distance control option	yes
With adaptive start control	yes
With operating time limitation	yes
With black bulb sensor	no

\*In combination with the control technology recommended by Oekoswiss.

Oekoswiss Energy AG, Mülacher 6 | CH-60 24 Hildisrieden  
 Product information pursuant to Regulation (EU) 2015/1188 (Ecodesign Directive)

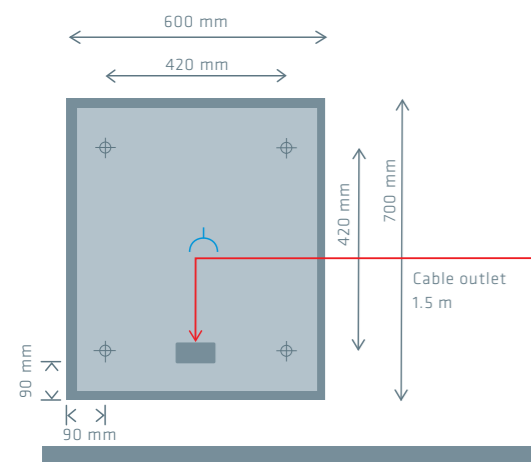


## Technical data

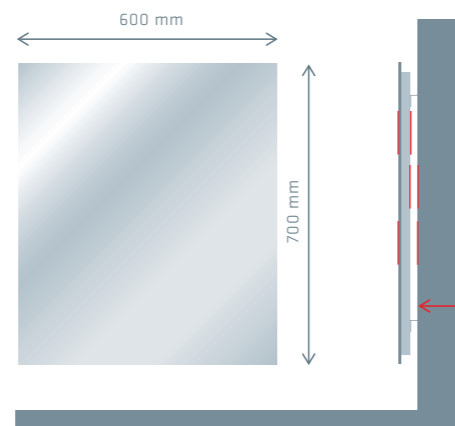
<b>Front</b>	The hardening process to which ESG glass is subjected results in a distortion of the mirror image during the conventional manufacturing processes. Thanks to a special manufacturing procedure, our ESG mirror heaters remain low in distortion.	<b>Voltage</b>	230 VAC, 50Hz
		<b>Max. power</b>	320 W
		<b>Lift &amp; Coast System</b>	continuously variable 0 to 320 watts
		<b>Max. current</b>	1.3 A
		<b>Protection class</b>	IP 44
<b>Back</b>	Powder-coated, mineral insulation matt white (RAL 9010).	<b>Max. temperature of front</b>	65°C
		<b>Max. temperature of back</b>	26°C
<b>Functions</b>	<ul style="list-style-type: none"> <li>- Integrated Lift &amp; Coast System with electronic surface temperature control</li> <li>- Thermal fuses</li> </ul>	<b>Installation</b>	Suitable for ceiling and wall mounting or with accessories Art. no. 168 131 000 for integrated installation.

## Back view

Hole pattern  
Model 300-70 S

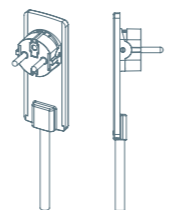


## Front view



## Side view

**Device depth** 30 mm  
**Wall clearance** 24 or 29 mm  
**Installation depth** 54 or 59 mm  
**Power connection**  
 Position behind the device



Evoline connector

Model	Dimensions in mm	Weight	Ausführung	Art. no.
oeko 300-70 S	700 x 600 x 22	9 kg	Spiegel	388 078 000

Heat output	Symbol	oeko 300-70 S
Nominal heat output	$P_{nom}$	0.32 kW
Minimum heat output (indicative)	$P_{min}$	0.0 kW
Maximum continuous heat output	$P_{max,c}$	0.32 kW
Infinitely variable power consumption in operation	$P_{Operation}$	0.0 - 0.32 kW

Auxiliary electricity consumption	Symbol	oeko 300-70 S
At nominal heat output	$el_{max}$	0.0 kW
At minimum heat output	$el_{min}$	0.0 kW
In standby mode	$el_{SB}$	0.0 kW

## Type of heat output / room temperature control\*

Single stage heat output and no room temperature control	no
Two or more manual stages, no room temperature control	no
Room temperature control with mechanical thermostat	no
With electronic room temperature control	no
Electronic room temperature control and time of day management	no
Electronic room temperature control and day of week management	yes

## Other control options\*

Room temperature control with presence detection	optional
Room temperature control with open window detection	optional
With distance control option	yes
With adaptive start control	yes
With operating time limitation	yes
With black bulb sensor	no

\*In combination with the control technology recommended by Oekoswiss.

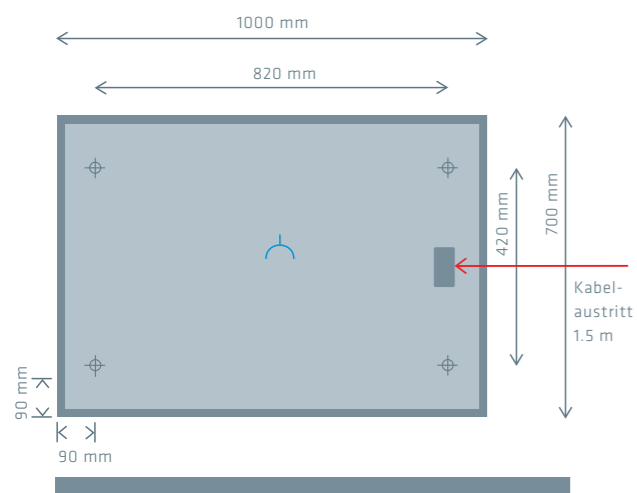
Oekoswiss Energy AG, Mülacher 6 | CH-60 24 Hildisrieden  
 Product information pursuant to Regulation (EU) 2015/1188 (Ecodesign Directive)

## Technical data

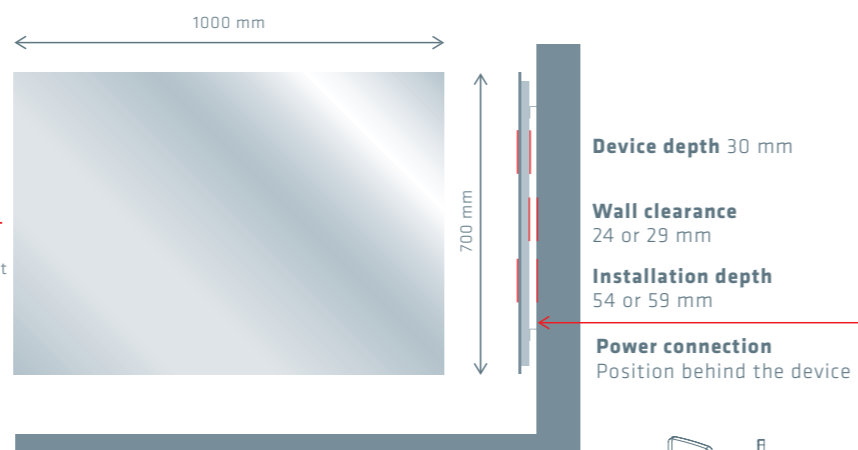
<b>Front</b>	The hardening process to which ESG glass is subjected results in a distortion of the mirror image during the conventional manufacturing processes. Thanks to a special manufacturing procedure, our ESG mirror heaters remain low in distortion.	<b>Voltage</b>	230 VAC, 50Hz
		<b>Max. power</b>	580 W
		<b>Lift &amp; Coast System</b>	continuously variable 0 to 580 watts
		<b>Max. current</b>	1.7 A
		<b>Protection class</b>	IP 44
<b>Back</b>	Powder-coated, mineral insulation matt white (RAL 9010).	<b>Max. temperature of front</b>	65°C
		<b>Max. temperature of back</b>	26°C
<b>Functions</b>	<ul style="list-style-type: none"> <li>- Integrated Lift &amp; Coast System with electronic surface temperature control</li> <li>- Thermal fuses</li> </ul>	<b>Installation</b>	Suitable for ceiling and wall mounting or with accessories Art. no. 168 131 000 for integrated installation.

## Back view

Hole pattern  
Model 520-70 S

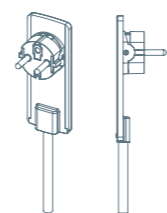


## Front view



## Side view

**Device depth** 30 mm  
**Wall clearance** 24 or 29 mm  
**Installation depth** 54 or 59 mm  
**Power connection**  
Position behind the device



Evoline connector

Model	Dimensions in mm	Weight	Ausführung	Art. no.
oeko 520-70 S	700 x 1000 x 22	14 kg	Spiegel	388 088 000

Heat output	Symbol	oeko 520-70 S
Nominal heat output	$P_{nom}$	0.58 kW
Minimum heat output (indicative)	$P_{min}$	0.0 kW
Maximum continuous heat output	$P_{max,c}$	0.58 kW
Infinitely variable power consumption in operation	$P_{Operation}$	0.0 - 0.58 kW

Auxiliary electricity consumption	Symbol	oeko 520-70 S
At nominal heat output	$el_{max}$	0.0 kW
At minimum heat output	$el_{min}$	0.0 kW
In standby mode	$el_{SB}$	0.0 kW

## Type of heat output / room temperature control\*

Single stage heat output and no room temperature control	no
Two or more manual stages, no room temperature control	no
Room temperature control with mechanical thermostat	no
With electronic room temperature control	no
Electronic room temperature control and time of day management	no
Electronic room temperature control and day of week management	yes

## Other control options\*

Room temperature control with presence detection	optional
Room temperature control with open window detection	optional
With distance control option	yes
With adaptive start control	yes
With operating time limitation	yes
With black bulb sensor	no

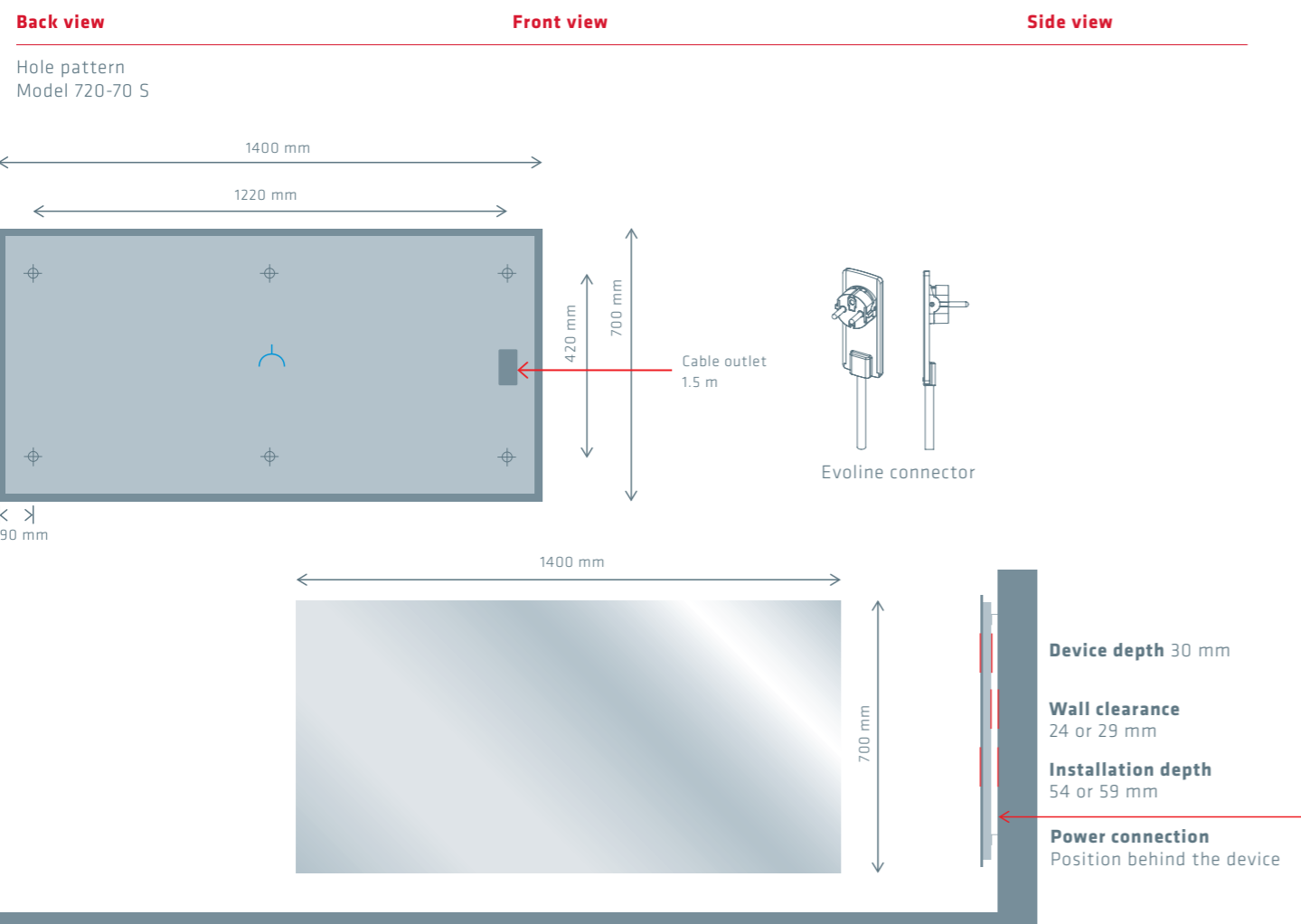
\*In combination with the control technology recommended by Oekoswiss.

Oekoswiss Energy AG, Mülacher 6 | CH-60 24 Hildisrieden  
Product information pursuant to Regulation (EU) 2015/1188 (Ecodesign Directive)



## Technical data

<b>Front</b>	The hardening process to which ESG glass is subjected results in a distortion of the mirror image during the conventional manufacturing processes. Thanks to a special manufacturing procedure, our ESG mirror heaters remain low in distortion.	<b>Voltage</b>	230 VAC, 50Hz
		<b>Max. power</b>	800 W
		<b>Lift &amp; Coast System</b>	continuously variable 0 to 800 watts
		<b>Max. current</b>	3.2 A
		<b>Protection class</b>	IP 44
<b>Back</b>	Powder-coated, mineral insulation matt white (RAL 9010).	<b>Max. temperature of front</b>	65°C
		<b>Max. temperature of back</b>	26°C
<b>Functions</b>	<ul style="list-style-type: none"> <li>- Integrated Lift &amp; Coast System with electronic surface temperature control</li> <li>- Thermal fuses</li> </ul>	<b>Installation</b>	Suitable for ceiling and wall mounting or with accessories Art. no. 168 131 000 for integrated installation.



Model	Dimensions in mm	Weight	Ausführung	Art. no.
oeko 720-70 S	700 x 1400 x 22	19 kg	Spiegel	388 098 000

Heat output	Symbol	oeko 720-70 S
Nominal heat output	P <sub>nom</sub>	0.80 kW
Minimum heat output (indicative)	P <sub>min</sub>	0.0 kW
Maximum continuous heat output	P <sub>max,c</sub>	0.80 kW
Infinitely variable power consumption in operation	P <sub>Operation</sub>	0.0 – 0.80 kW

Auxiliary electricity consumption	Symbol	oeko 720-70 S
At nominal heat output	el <sub>max</sub>	0.0 kW
At minimum heat output	el <sub>min</sub>	0.0 kW
In standby mode	el <sub>SB</sub>	0.0 kW

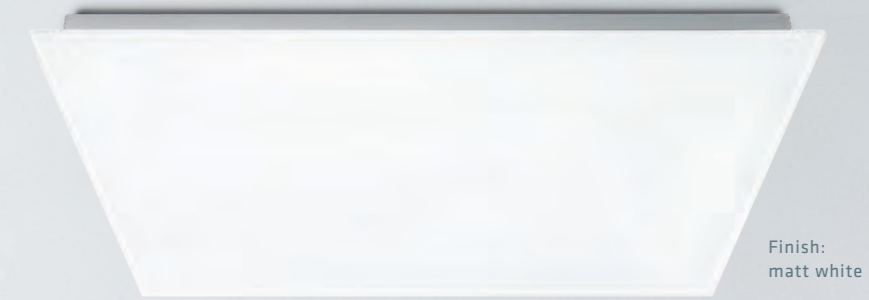
Type of heat output / room temperature control*	
Single stage heat output and no room temperature control	no
Two or more manual stages, no room temperature control	no
Room temperature control with mechanical thermostat	no
With electronic room temperature control	no
Electronic room temperature control and time of day management	no
Electronic room temperature control and day of week management	yes

Other control options*	
Room temperature control with presence detection	optional
Room temperature control with open window detection	optional
With distance control option	yes
With adaptive start control	yes
With operating time limitation	yes
With black bulb sensor	no

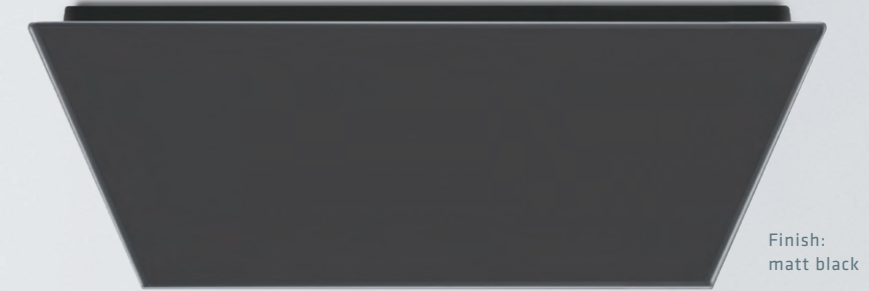
\*In combination with the control technology recommended by Oekoswiss.

Oekoswiss Energy AG, Mülacher 6 | CH-60 24 Hildisrieden  
 Product information pursuant to Regulation (EU) 2015/1188 (Ecodesign Directive)

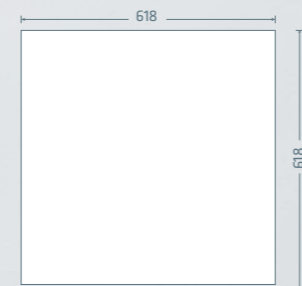




Finish:  
matt white



Finish:  
matt black



Model  
Power 420 R (DE + AT)  
420 W



400 R (CH + EU)  
400 W

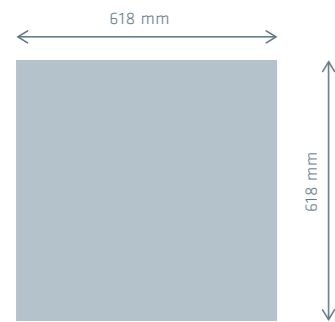


## Technical data

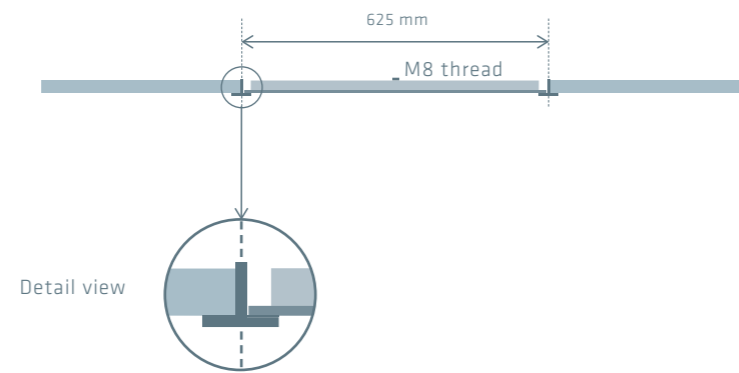
<b>Front</b>	Low iron oxide, toughened safety glass with special coating and high radiation value. All versions come with temperature-resistant ceramic screen printing in matt white (RAL 9010).	<b>Voltage</b> <b>Max. power</b> <b>Lift &amp; Coast System</b>	230 VAC, 50Hz 420 W continuously variable 0 to 420 watts
<b>Back</b>	Powder-coated, mineral insulation matt white (RAL 9010).	<b>Max. current</b> <b>Protection class</b>	1.8 A IP 44
<b>Functions</b>	- Integrated Lift & Coast System with electronic surface temperature control - Thermal fuses	<b>Max. temperature of front</b> <b>Max. temperature of back</b>  <b>Installation</b>	96°C 36°C  Only for installation in ceiling grids with the standard dimensions 62.5 x 62.5 cm (Germany and Austria).

## Bottom view

oeko 420 R



## Ceiling section view



The ceiling grid heaters are designed to fit precisely in a ceiling system. Since the edge region of the glass is not heated directly, the temperature of the T-profile of the ceiling system remains well below the permitted maximum of 60 kelvin higher than the ambient temperature. The unit can be suspended from a centrally-placed M8 thread on the back in order to secure it. The materials required to do this are not included in the delivery (lug, steel cable, etc.).

## For Germany

Dimensions in mm	Weight	Colour	Art. no.
618 x 618 x 30	7.5 kg	matt white	388 171 000
618 x 618 x 30	7.5 kg	matt black	388 172 000

## Delta Dore Combination Plug & Heat

Dimensions in mm	Weight	Colour	Art. no.
618 x 618 x 30	7.5 kg	matt white	388 171 296
618 x 618 x 30	7.5 kg	matt black	388 172 296

Heat output	Symbol	oeko 420 R
Nominal heat output	$P_{nom}$	0.42 kW
Minimum heat output (indicative)	$P_{min}$	0.0 kW
Maximum continuous heat output	$P_{max,c}$	0.42 kW
Infinitely variable power consumption in operation	$P_{Operation}$	0.0 – 0.42 kW

Auxiliary electricity consumption	Symbol	oeko 420 R
At nominal heat output	$el_{max}$	0.0 kW
At minimum heat output	$el_{min}$	0.0 kW
In standby mode	$el_{SB}$	0.0 kW

Type of heat output / room temperature control*	
Single stage heat output and no room temperature control	no
Two or more manual stages, no room temperature control	no
Room temperature control with mechanical thermostat	no
With electronic room temperature control	no
Electronic room temperature control and time of day management	no
Electronic room temperature control and day of week management	yes

Other control options*	
Room temperature control with presence detection	optional
Room temperature control with open window detection	optional
With distance control option	yes
With adaptive start control	yes
With operating time limitation	yes
With black bulb sensor	no

\*In combination with the control technology recommended by OekoSwiss.

OekoSwiss Energy AG, Mülacher 6 | CH-60 24 Hildisrieden

Product information pursuant to Regulation (EU) 2015/1188 (Ecodesign Directive)

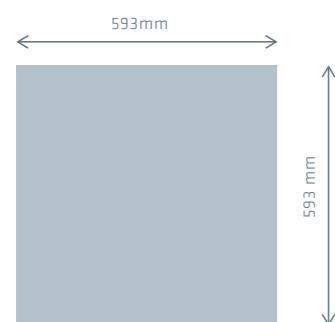


## Technical data

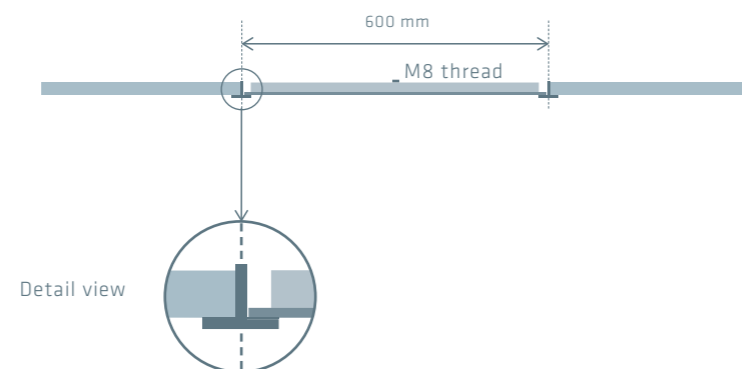
<b>Front</b>	Low iron oxide, toughened safety glass with special coating and high radiation value. All versions come with temperature-resistant ceramic screen printing in matt white (RAL 9010).	<b>Voltage</b> <b>Max. power</b> <b>Lift &amp; Coast System</b>	230 VAC, 50Hz 400 W continuously variable 0 to 400 watts
<b>Back</b>	Powder-coated, mineral insulation matt white (RAL 9010).	<b>Max. current</b> <b>Protection class</b>	1.8 A IP 44
<b>Functions</b>	- Integrated Lift & Coast System with electronic surface temperature control - Thermal fuses	<b>Max. temperature of front</b> <b>Max. temperature of back</b>  <b>Installation</b>	96°C 36°C  Only for installation in ceiling grids with the standard dimensions 62.5 x 62.5 cm (Switzerland and the EU).

## Bottom view

oeko 400 R



## Ceiling section view



The ceiling grid heaters are designed to fit precisely in a ceiling system. Since the edge region of the glass is not heated directly, the temperature of the T-profile of the ceiling system remains well below the permitted maximum of 60 kelvin higher than the ambient temperature. The unit can be suspended from a centrally-placed M8 thread on the back in order to secure it. The materials required to do this are not included in the delivery (lug, steel cable, etc.).

## For Switzerland/Europe (except Germany)

Dimensions in mm	Weight	Colour	Art. no.
593 x 593 x 30	7.2 kg	matt white	388 191 000
593 x 593 x 30	7.2 kg	matt black	388 192 000

## Delta Dore Combination Plug & Heat

Dimensions in mm	Weight	Colour	Art. no.
593 x 593 x 30	7.2 kg	matt white	388 191 296
593 x 593 x 30	7.2 kg	matt black	388 192 296

Heat output	Symbol	oeko 400 R
Nominal heat output	$P_{nom}$	0.40 kW
Minimum heat output (indicative)	$P_{min}$	0.0 kW
Maximum continuous heat output	$P_{max,c}$	0.40 kW
Infinitely variable power consumption in operation	$P_{Operation}$	0.0 – 0.40 kW

Auxiliary electricity consumption	Symbol	oeko 400 R
At nominal heat output	$el_{max}$	0.0 kW
At minimum heat output	$el_{min}$	0.0 kW
In standby mode	$el_{SB}$	0.0 kW

Type of heat output / room temperature control*	
Single stage heat output and no room temperature control	no
Two or more manual stages, no room temperature control	no
Room temperature control with mechanical thermostat	no
With electronic room temperature control	no
Electronic room temperature control and time of day management	no
Electronic room temperature control and day of week management	yes

Other control options*	
Room temperature control with presence detection	optional
Room temperature control with open window detection	optional
With distance control option	yes
With adaptive start control	yes
With operating time limitation	yes
With black bulb sensor	no

\*In combination with the control technology recommended by OekoSwiss.

OekoSwiss Energy AG, Mülacher 6 | CH-60 24 Hildisrieden

Product information pursuant to Regulation (EU) 2015/1188 (Ecodesign Directive)





The SALUS Smart Home app can be installed on your smartphone or tablet, or operated from your PC/laptop. It is available for free from the App Store and Google Play. You can use the app to manage multiple homes and monitor your heating online, as well as the positions of your windows and doors. With the "one touch" function, you can set up simple rules for each device or create user-defined scenarios.



Download the free app



Room temperature control.



Quick access to all SALUS Smart Home products.



Expanded functions and settings.



Set up "one-touch" rules quickly and easily.



System notifications via the app.



Free to download, quick to register.





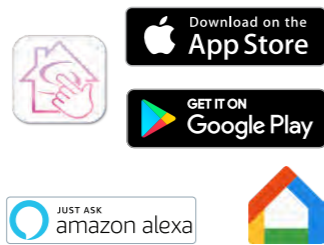
## UGE600

### Internet-Gateway

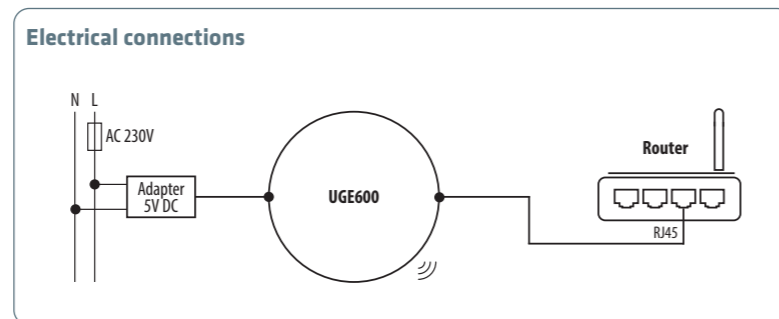
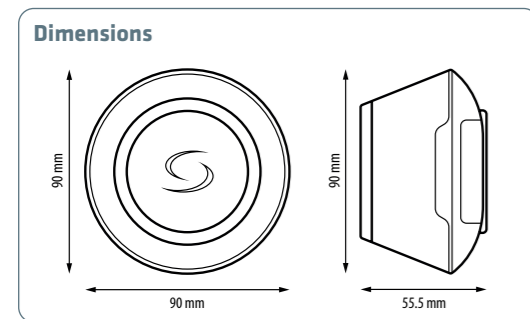
The UGE600 gateway connects all devices of the SALUS Smart Home System. You can use it to control devices directly from the app, or from your smartphone, tablet or PC/laptop.

- LED display (multicolour)
- Internet connection via LAN cable and WiFi
- 5-year warranty

Operating voltage:	5 VDC via micro-USB
Communication protocol:	ZigBee 2.4 GHz
Maximum ambient temperature:	0 - 50 °C
Dimensions (mm):	90 x 90 x 55.5



Article no. 112661



## SQ610

### 230V Quantum room thermostat

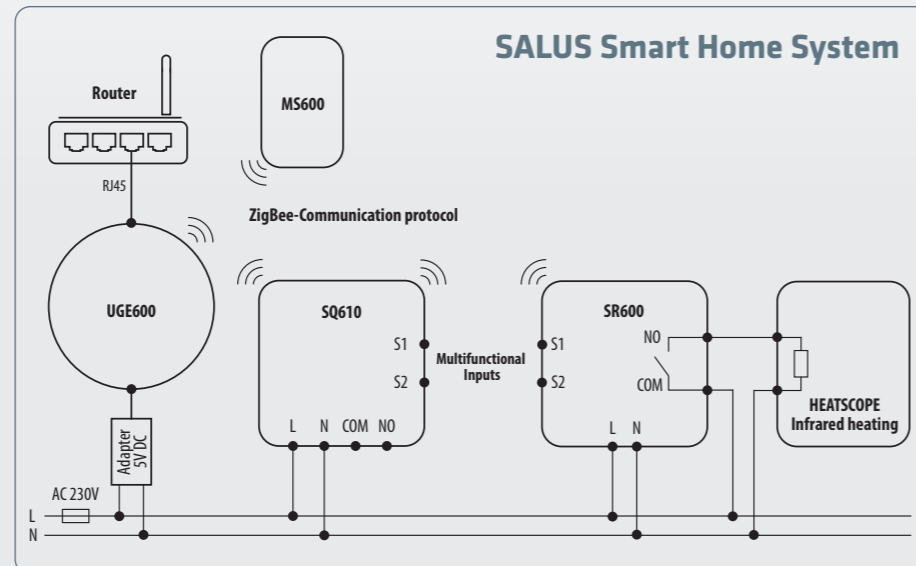
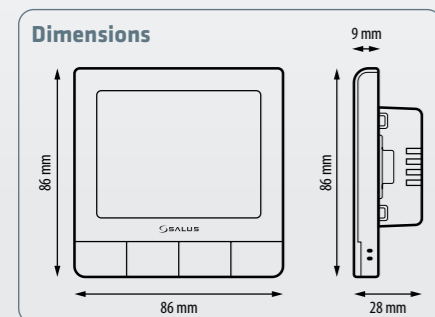


Operating voltage:	230V (AC) 50 Hz
Communication protocol:	ZigBee 2.4 GHz
Temperature range:	5 - 35°C
Dimensions (mm):	86 x 86 x 28/9

- Depth from wall: 9 mm
- 230 V connection in flush-mounted wall part
- Large LCD display
- Intuitive initialisation, step-by-step menu guidance
- Humidity sensor
- Programmable – daily, weekly or 5/2
- Hysteresis ± 0.5 / 0.25
- Energy class IV
- Potential-free or 230 V outputs
- ITLC algorithm
- Optimised start/stop function
- 2 multi-functional inputs for external sensors
- Integrated relay with max. switching capacity of 3 (1)A
- Flush mounting
- Complies with the Ecodesign Directive
- 5-year warranty



Article no. 113610



## SQ610RF

### Quantum room thermostat Battery-powered

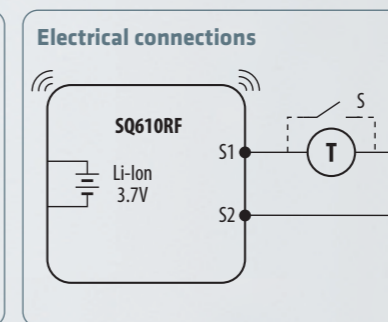
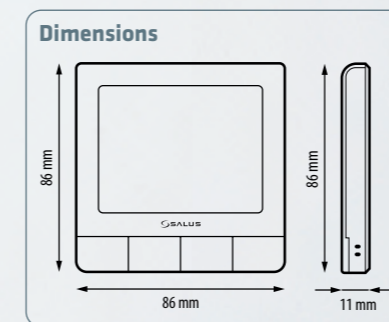


Operating voltage:	Lithium-Akku
Communication protocol:	ZigBee 2.4 GHz
Temperature range:	5 - 35°C
Dimensions (mm):	86 x 86 x 11

- Only 11 mm deep
- Lithium-ion battery with 5 VDC micro-USB connection
- Intuitive initialisation, step-by-step menu guidance
- Humidity sensor
- Programmable – daily, weekly or 5/2
- Hysteresis ± 0.5 / 0.25
- Energy class IV
- ITLC algorithm
- Optimised start/stop function
- 2 multi-functional inputs for external sensors
- Can be controlled via the SALUS Smart Home app
- Secured with a PIN code
- Complies with the Ecodesign Directive
- 5-year warranty



Article no. 113611



## CDEU

### Charging station

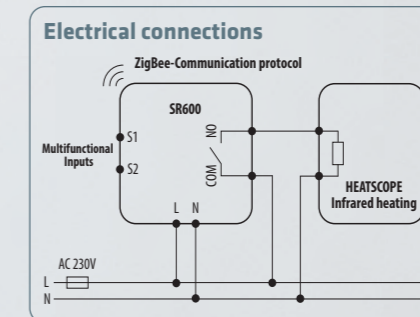
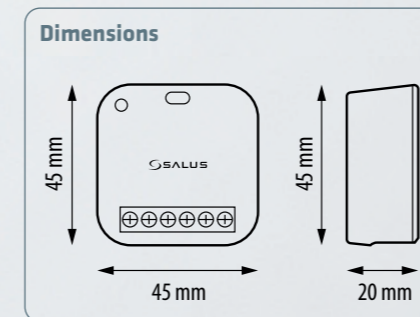
- Tabletop charging station (mobile)
- USB power supply
- Can also be used as tabletop stand without charging function

Article no. 113614



## SR600

### SMART Relais



- Multiple infrared heaters can be connected, up to a total power of 16 A
- 2 multi-functional inputs

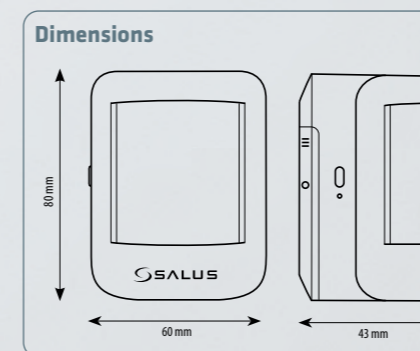
Article no. 112673



Operating voltage:	230V AC 50 Hz
Max. switching current:	16A
Communication protocol:	ZigBee 2.4 GHz
Dimensions (mm):	45 x 45 x 20

## MS600

### Presence detector



- Equipped with a tamper-proof switch that reports any tampering attempts
- Domestic pets up to 36 kg are not detected
- Angle of detection: 80° (not adjustable)
- Detection distance: max. 8 m
- Easy installation thanks to removable rear panel
- Battery-operated (CR123A)
- 5-year warranty

Operating voltage:	1 x 3VDC, CR123A
Communication protocol:	ZigBee 2.4 GHz
Maximum ambient temperature:	0 °C - 40 °C
Dimensions (mm):	60 x 80 x 43

Article no. 112681



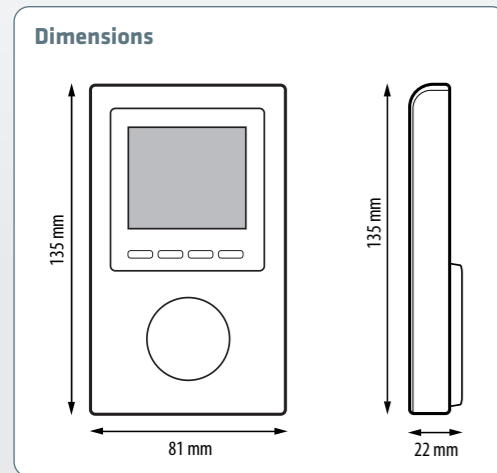


Art. no.	Name	Description
296 110 002	TAP X3D	<p>Battery-operated Oekoswiss radio clock thermostat, programmable by the day or week, also includes other functions such as frost protection mode, party mode, holiday mode.</p> <ul style="list-style-type: none"> <li>• Central operating mode selector switch</li> <li>• Operating modes: off, manual, automatic, target value adjustment, time adjustment, programming mode</li> <li>• PI control or On/Off</li> <li>• Set complete daily/weekly heating programmes</li> <li>• Presence detection</li> <li>• Manual programme interruption</li> <li>• Adjustable target temperature limit (22° - 30°C)</li> <li>• Keypad lock</li> <li>• Wireless communication protocol: X3D, bidirectional</li> <li>• Radio frequency: 868 MHz</li> <li>• LCD display with blue backlighting</li> <li>• Target and room temperature display</li> <li>• Supply voltage: 2x lithium battery LR03/ AAA, 1.5 VDC</li> <li>• Battery life: 5 to 10 years</li> <li>• Free-standing or wall-mounted</li> </ul>



The plug and heat solution comes with a pre-assembled radio receiver on the back and the thermostat already connected. This makes it simple to connect individual Oekoswiss IR heaters to a plug socket, whilst it also ensures the heaters comply with the Ecodesign Directive. Whether it's at home, in a holiday let, or wherever.

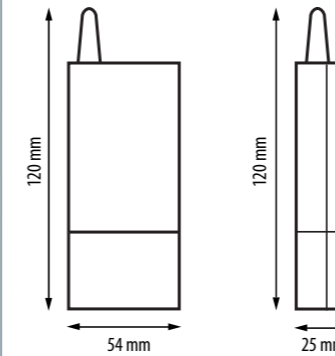
Oekoswiss IR heating systems can be combined with all SMART HOME solutions available on the market. We would be happy to provide you with further advice on request



Art. no.	Name	Description
296 110 001	X3D	<p>Oekoswiss electronic surface-mounted room thermostat with 230V control dial and triac circuit, resulting in silent operation. 0.5A switching capacity, meaning RM-16A relay for electric heaters required.</p> <ul style="list-style-type: none"> <li>• Design: surface-mounted</li> <li>• PI control or On/Off</li> <li>• Wireless communication protocol: X3D or X2D, switchable</li> <li>• Factory setting: X3D, bidirectional</li> <li>• Wireless communication protocol: X3D, bidirectional</li> <li>• Radio frequency: 868 MHz</li> <li>• LED for output status display</li> <li>• Electrical connection: screw terminal</li> <li>• Supply voltage: 230 VAC</li> <li>• Output: 230 VAC, 16 A</li> </ul>



**Dimensions**

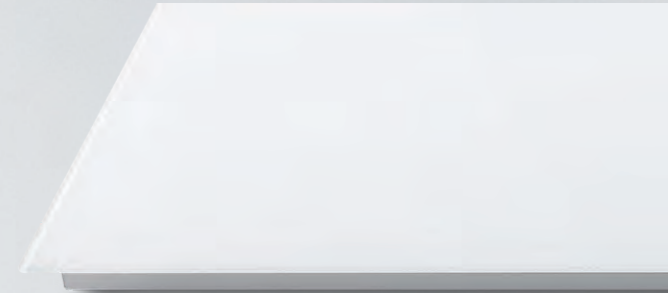




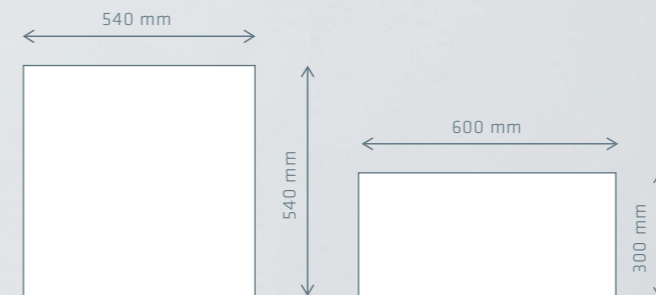
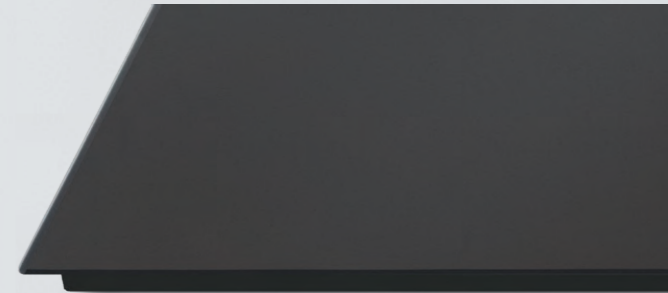


Foot heaters are an innovative and handy way to create a pleasant, feel-good environment within the office. They provide a selective solution that is efficient and can be tailored to everyone's own individual needs. This type of radiant heat enables different comfortable temperatures to be set within the same large office space and is also economical in its power and energy consumption.

Finish:  
matt white



Finish:  
matt black

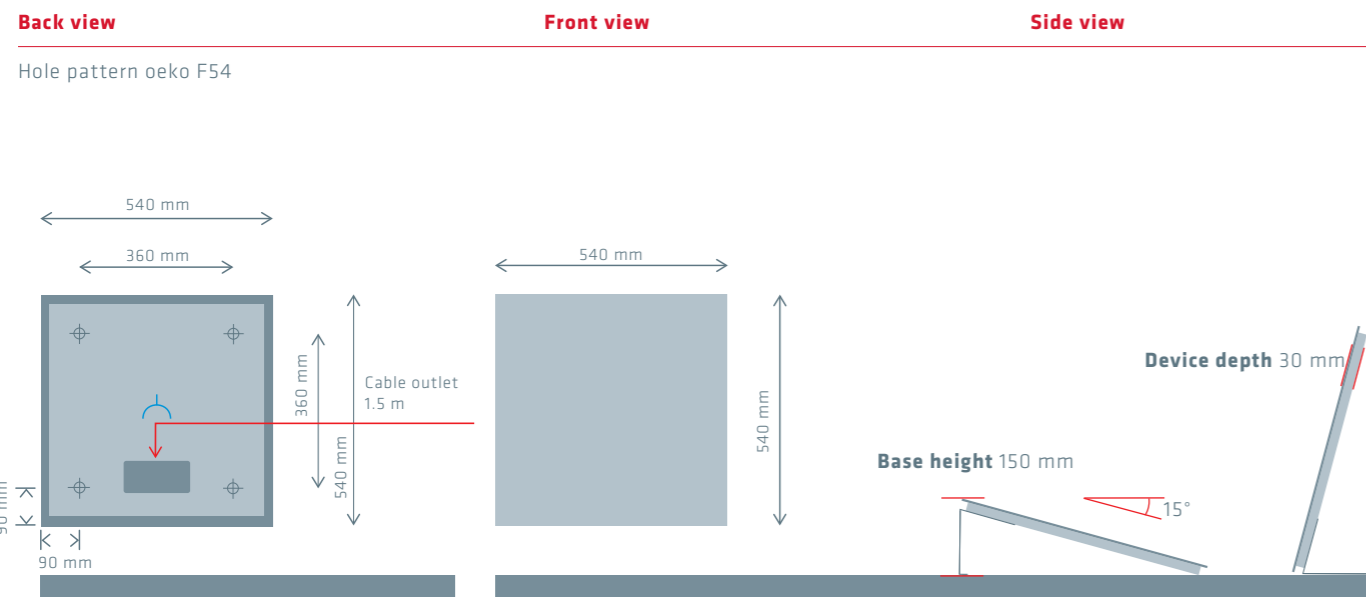


Model  
Power  
oeko F54  
250 W

oeko F40  
180 W

Technical data

<b>Front</b>	Low iron oxide, toughened safety glass with special coating and high radiation value. Available in matt white and matt black. All versions come with temperature-resistant ceramic screen printing.	<b>Voltage</b>	230 VAC, 50Hz
		<b>Max. Power</b>	250 W
		<b>Lift &amp; Coast System</b>	stufenlos 0 to 250 Watt
		<b>Max. current</b>	1.1 A
		<b>Protection class</b>	IP 44
<b>Back</b>	Powder-coated, mineral insulation RAL 9010 (matt white finish) RAL 9005 (matt black finish)	<b>Max. temperature of front</b>	65°C
		<b>Max. temperature of back</b>	25°C
<b>Functions</b>	<ul style="list-style-type: none"> <li>- Integrated Lift and Coast System with electronic surface temperature control</li> <li>- Thermal fuses</li> <li>- Base (to be used when flat or standing) powder-coated with Oekoswiss IR logo</li> </ul>	<b>Use</b>	As an added heat source under the table.



Dimensions in mm	Weight	Colour	Art. no.
540 x 540 x 30	12 kg	matt white	388 081 250
540 x 540 x 30	12 kg	matt black	388 083 250

Heat output	Symbol	oeko F54
Nominal heat output	$P_{nom}$	0.25 kW
Minimum heat output (indicative)	$P_{min}$	0.0 kW
Maximum continuous heat output	$P_{max,c}$	0.25 kW
Infinitely variable power consumption in operation	$P_{Operation}$	0.0 - 0.25 kW

Auxiliary electricity consumption	Symbol	oeko F54
At nominal heat output	$el_{max}$	0.0 kW
At minimum heat output	$el_{min}$	0.0 kW
In standby mode	$el_{SB}$	0.0 kW

Type of heat output / room temperature control*	
Single stage heat output and no room temperature control	no
Two or more manual stages, no room temperature control	no
Room temperature control with mechanical thermostat	no
With electronic room temperature control	no
Electronic room temperature control and time of day management	no
Electronic room temperature control and day of week management	yes

Other control options*	
Room temperature control with presence detection	optional
Room temperature control with open window detection	optional
With distance control option	yes
With adaptive start control	yes
With operating time limitation	yes
With black bulb sensor	no

This product is only suitable for well-insulated rooms or for occasional use.

Oekoswiss Energy AG, Mülacher 6 | CH-60 24 Hildisrieden  
Product information pursuant to Regulation (EU) 2015/1188 (Ecodesign Directive)



Technical data

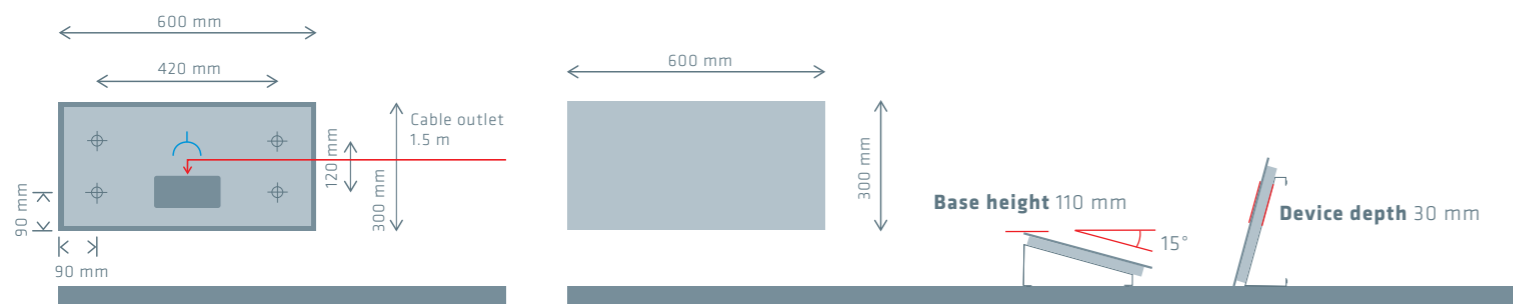
<b>Front</b>	Low iron oxide, toughened safety glass with special coating and high radiation value. Available in matt white and matt black. All versions come with temperature-resistant ceramic screen printing.	<b>Voltage</b>	230 VAC, 50Hz
		<b>Max. Power</b>	180 W
		<b>Lift &amp; Coast System</b>	stufenlos 0 to 180 Watt
		<b>Max. current</b>	0.8 A
		<b>Protection class</b>	IP 44
<b>Back</b>	Powder-coated, mineral insulation RAL 9010 (matt white finish) RAL 9005 (matt black finish)	<b>Max. temperature of front</b>	65°C
		<b>Max. temperature of back</b>	25°C
<b>Functions</b>	<ul style="list-style-type: none"> <li>- Integrated Lift and Coast System with electronic surface temperature control</li> <li>- Thermal fuses</li> <li>- Base (to be used when flat or standing) powder-coated with Oekoswiss IR logo</li> </ul>	<b>Use</b>	As an added heat source under the table.

Back view

Front view

Side view

Hole pattern oeko F40



Dimensions in mm	Weight	Colour	Art. no.
300 x 600 x 30	8 kg	matt white	388 091 180
300 x 600 x 30	8 kg	matt black	388 093 180

Heat output	Symbol	oeko F40
Nominal heat output	$P_{nom}$	0.18 kW
Minimum heat output (indicative)	$P_{min}$	0.0 kW
Maximum continuous heat output	$P_{max,c}$	0.18 kW
Infinitely variable power consumption in operation	$P_{Operation}$	0.0 – 0.18 kW

Auxiliary electricity consumption	Symbol	oeko F40
At nominal heat output	$el_{max}$	0.0 kW
At minimum heat output	$el_{min}$	0.0 kW
In standby mode	$el_{SB}$	0.0 kW

Type of heat output / room temperature control	
Single stage heat output and no room temperature control	no
Two or more manual stages, no room temperature control	no
Room temperature control with mechanical thermostat	no
With electronic room temperature control	no
Electronic room temperature control and time of day management	no
Electronic room temperature control and day of week management	yes

Other control options	
Room temperature control with presence detection	optional
Room temperature control with open window detection	optional
With distance control option	yes
With adaptive start control	yes
With operating time limitation	yes
With black bulb sensor	no

This product is only suitable for well-insulated rooms or for occasional use.

Oekoswiss Energy AG, Mülacher 6 | CH-60 24 Hildisrieden  
Product information pursuant to Regulation (EU) 2015/1188 (Ecodesign Directive)

**Supporting feet** | with 5° tilt



Model	Art. no.	Description	Colour
<b>Horizontal</b>			
	168 041 500	A pair of supporting feet for oeko 520-50/720-50/300-60/520-60/720-60/890-60 (horizontal)	white
<b>Vertical</b>			
	168 051 500	2 supporting feet for oeko 520-60 (vertical)	white
	168 061 500	2 supporting feet for oeko 720-60 (vertical)	white
	168 071 500	2 supporting feet for oeko 520-50/390-40/300-30 (vertical)	white



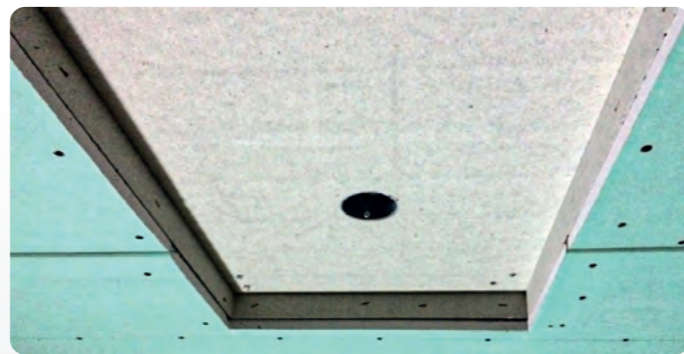


### Insulation and shell of ceiling recess

Integration of an Oekoswiss IR heater measuring 40 cm x 170 cm.

The ceiling position is located centrally in the room. The recess is 10 mm wider on each side than the size of the heater. In terms of depth, the size of the box structure (55 mm) is such that, once installed, the heater fits flush to the ceiling.

In this case, the recess was prepared in a workshop (plasterboard) and screwed into the ceiling. The prepared recess is connected using battens. After this, the ceiling slabs are screwed on as pictured. This method results in a clean edge.



The ceiling is then plastered and painted. Important! The edge and sides of the recess must be painted so that any unpainted parts cannot be seen through the gap that is created.

The heating element is then screwed into the recess using special brackets which are available for every Oekoswiss IR heater



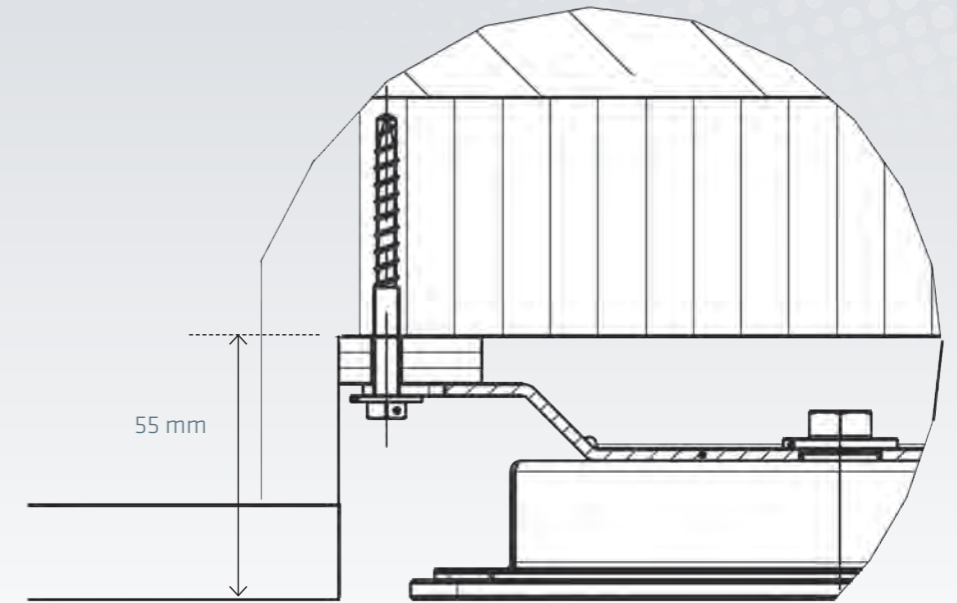


## Flush-mounted integration | Refurbishment example

Integration of four Dekoswiss IR heaters measuring 40 cm x 170 cm spread across the dining and living areas. This example involved integrating the heating elements into the ceiling using the same method. The result is impressive.

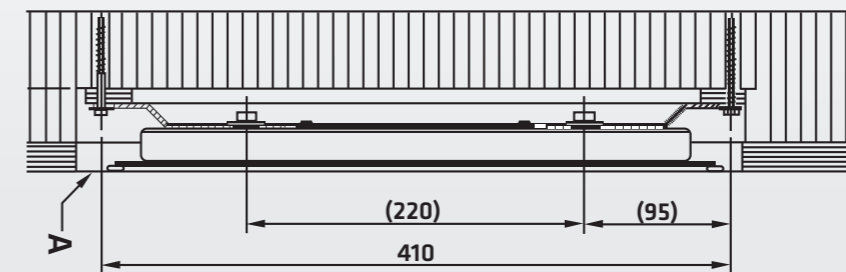


### Diagrams/details of the integration.



Ceiling integration sectional drawing

The clip extends across the width of the Oekoswiss IR heater. The heating element is screwed to the ceiling through the gap of at least 10 mm. The recess must be at least 50 mm deep. However, we recommend a depth of 55 mm to compensate for any unevenness in the ceiling. Perfectly flush!

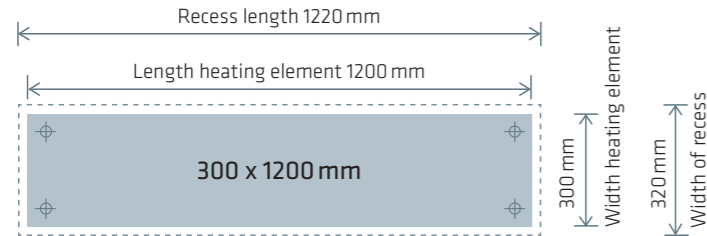
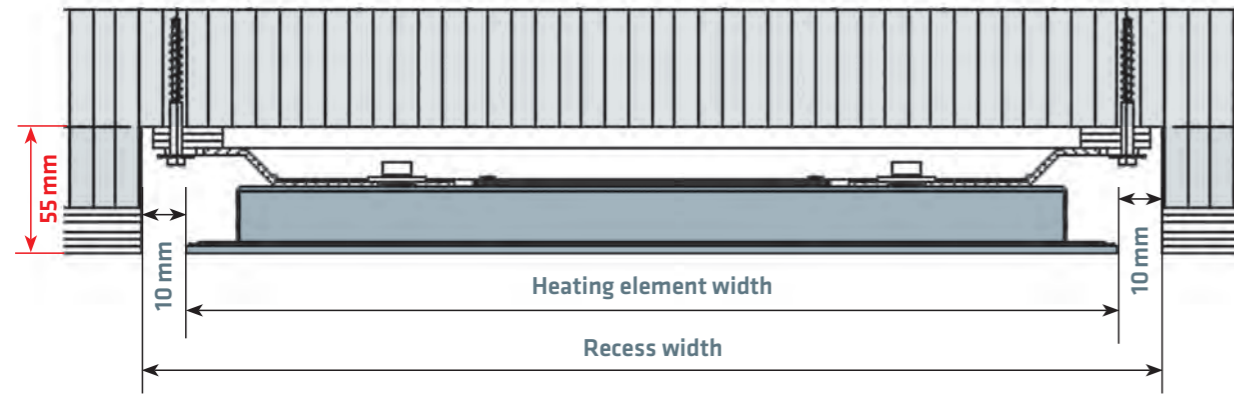


- 1.** Create recess in the ceiling (using plasterboard, for example) according to the recess sizes stated for each heating element.
- 2.** Guide in the electrical connection and/or prepare a hole so that the cables can be routed through.
- 3.** Make sure that there is a supporting substructure in the area where the Oekoswiss IR heater is to be screwed into the ceiling. This ensures that it can be installed securely.
- 4.** Fill and plaster the recess and the transition areas.
- 5.** We recommend painting the recess so that there is no colour difference with the ceiling once the IR heater is installed.
- 6.** Finally, fasten the Oekoswiss IR heater in the prepared recess with screws. Make sure that the edge spacing is uniform and the heater is centred in the recess. Use pads to adjust the depth so that the front face of the glass is flush with the ceiling.

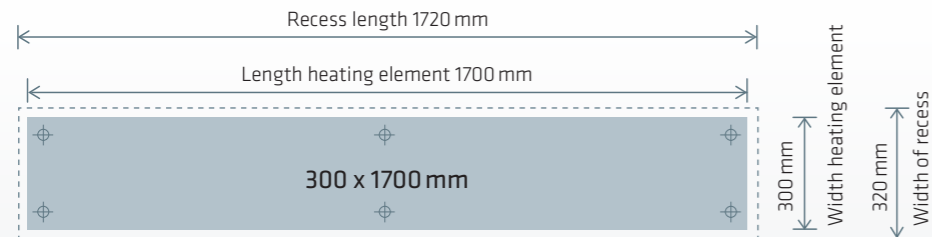




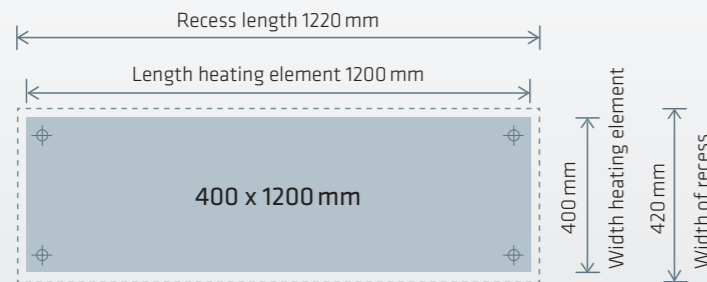
## Overview of integration formats



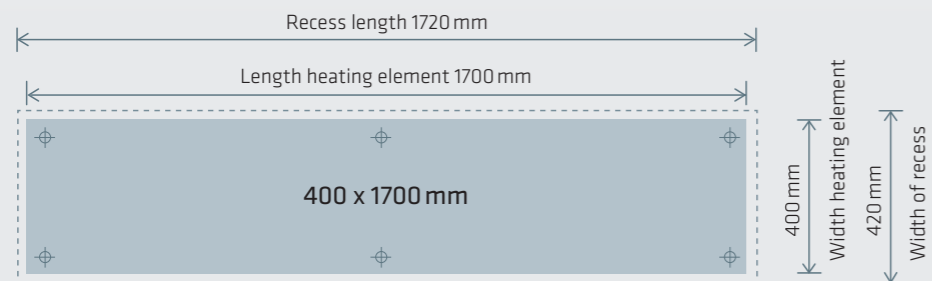
Model Power  
oeko 300-30  
290 W



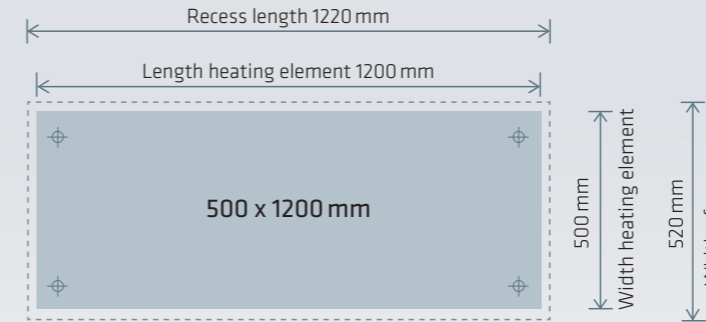
Model Power  
oeko 400-30  
430 W



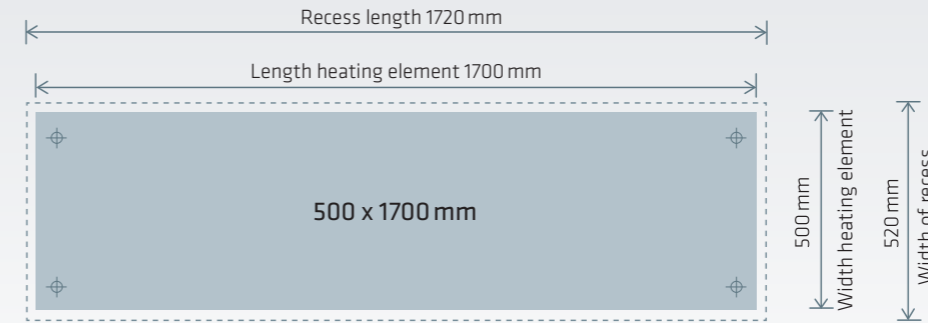
Model Power  
oeko 390-40  
440 W



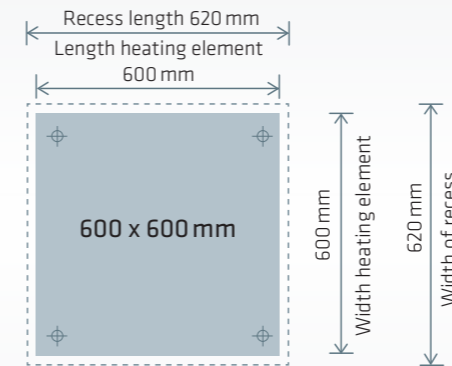
Model Power  
oeko 570-40  
630 W



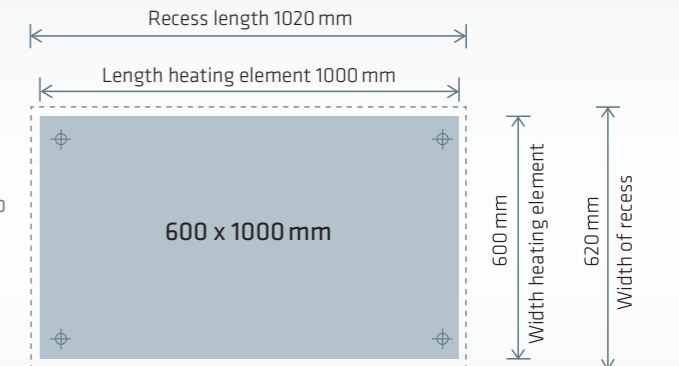
Model Power  
oeko 520-50  
560 W



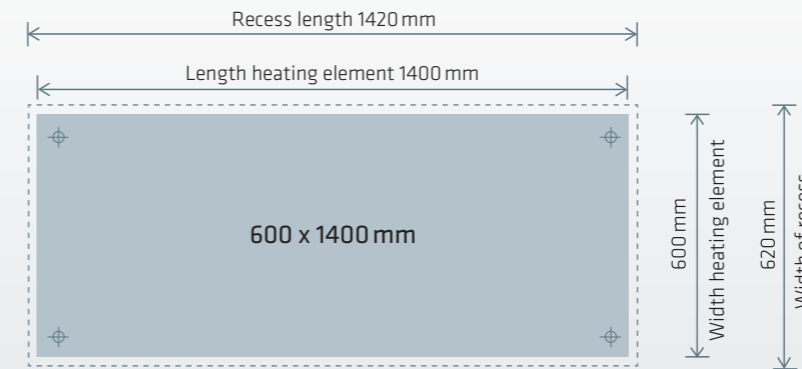
Model Power  
oeko 720-50  
800 W



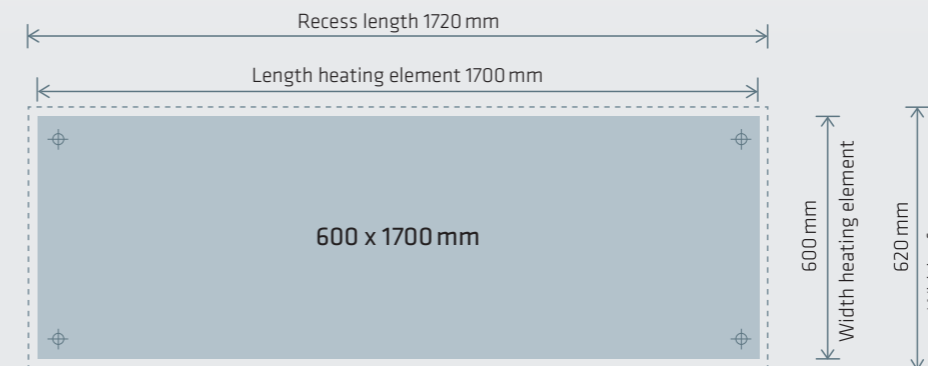
Model Power  
oeko 300-60  
320 W



Model Power  
oeko 520-60  
580 W



Model Power  
oeko 720-60  
830 W



Model Power  
oeko 890-60  
1000 W

# Installation and mounting guidelines

## Dear Customer,

Thank you for choosing a Oekoswiss product, designed with the latest technology. Please read the installation instructions carefully to make sure you can enjoy your efficient and elegant infrared heater or infrared towel heater for a long time to come.

## Installation

Installation must be performed by an electrician or a similarly qualified professional. All applicable standards and regulations must be observed during installation. Your electrician will know the regulations and will be happy to advise you.

The infrared heaters and infrared towel heaters rails from Oekoswiss comply with the electricity standard of the Swiss Electrotechnical Association (SEV), which has tested and certified the devices. These test reports are also checked by the Federal Inspectorate for Heavy Current Installations and comply in full with the standards of the European Union (CE).

### 1. General guidelines

The following general guidelines must be followed. If they are not observed, Oekoswiss will accept no liability in the event of damage.

The device must not be opened or modified. Opening the device will void the warranty immediately.

The supplied installation materials must be used for installation. This ensures that the device is secured correctly to the wall or ceiling.

The minimum spacing between the side of the device and solid objects such as walls made of masonry, wood, lightweight boards or plasterboard must be at least 5 cm.

Highly flammable materials such as curtains, plastic covers, pictures, etc. must be kept at least 10 cm away from the heater.

The heater must not be completely or partially covered by curtains, sofas or other furniture. A space of at least 1 m must be kept clear in front of the infrared heater.

If the heater is installed behind a door, it must be ensured that a fixed doorstop prevents the door from hitting the infrared heater. If the heater is installed behind a door, ensure that the door is closed during operation (to prevent heat accumulation).

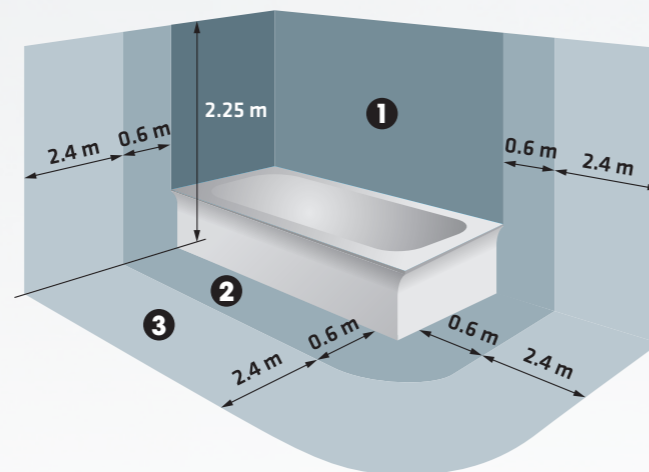
The Oekoswiss devices must not be used in rooms where there are people who cannot leave the room independently, unless these persons have constant supervision.

The devices are not intended for use by persons (including children) with reduced physical, sensory or mental abilities or lack of experience and/or knowledge, unless they are supervised by a person responsible for their safety or have received instruction from them on how to use the device.

### 2. Installation position in wet rooms

A 30 mA residual-current circuit breaker is mandatory for installation in wet rooms. The infrared heater may only be installed in safety zones 2 and 3 (see illustration).

During installation, ensure that the infrared heater or infrared towel rail cannot be operated or controlled from the bath or shower position. The thermostats must therefore be installed so that they cannot be reached from the bath or shower.



### 3. Control

If the devices are not fitted with an integrated control system, the regulation must be provided by an external thermostat controller that complies with the Ecodesign Directive.

### 4. Cleaning

Do not use any abrasive or aggressive cleaning agents to clean the infrared heater or infrared heated towel rail. We recommend cleaning with window cleaner or soapy water.

### Caution

**The infrared heater must have cooled down fully before cleaning. (Risk of damage due to cold shock)**

### 5. Faults

The device does not heat up:  
Please check the power supply.

If the device does not heat up but the power supply is in working order: Please send the device to your Oekoswiss dealer for inspection.

Faulty or damaged power cable:  
Faulty power cables must be replaced by the device manufacturer.

### Caution

**If the glass panel is damaged, stop using the heater and immediately disconnect it from the power.**



## Warranty

### Dear Customer,

In addition to the purchaser's entitlement to make statutory warranty claims against the seller, and without limiting this entitlement, Oekoswiss grants the purchaser the right to make claims in accordance with the following warranty conditions for new devices:

#### I. Duration and start of the warranty

1. The warranty is granted for the following period:
  - a) 10 years for infrared heaters and infrared towel heater, when used as intended.
  - b) 2 years for products such as electronic controllers, thermostats and relays, when used as intended.
2. The warranty period starts from the date stated on the purchase invoice for the device. Warranty services and replacement parts provided under the warranty shall not prolong the warranty period.

#### II. Warranty conditions

1. The device was purchased through the authorised dealer or directly from Oekoswiss in an EU country, Switzerland or Norway.
2. The proof of warranty (purchase invoice) is provided on request.

#### III. Content and scope of the warranty

1. Device defects are to be rectified free of charge within a reasonable period, with either repair or replacement of the relevant parts. Oekoswiss will not cover the expenses associated with this, such as transport, travel, disassembly and installation costs. Parts or devices removed during replacement shall become the property of Oekoswiss.
2. The warranty does not cover any other claims for damages against Oekoswiss, unless there is wilful intent or gross negligence on the part of the approved customer service provider commissioned by Oekoswiss.

#### IV. Limitations of warranty

The warranty does not cover defects or faults that are caused by:

1. Improper installation, e.g. failure to observe the applicable safety regulations or the written instructions for use, installation and mounting
2. Improper use or inappropriate operation or loads
3. External factors, such as transport damage, damage due to shock or impact, damage caused by weather or other natural phenomena
4. Repairs or modifications performed by customer service staff who have not been trained and approved for this service work by Oekoswiss
5. Glass breakage
6. Current and voltage fluctuations that exceed or fall below the tolerance limits specified by the manufacturer
7. Non-compliance with maintenance and cleaning work as specified in the instructions for use

#### V. Data protection

Personal data is used only for the purposes of order processing and to deal with any matters relating to the warranty, and in compliance with general data protection regulations.

## Scope of delivery

### Packaging contents for:

- Oekoswiss infrared heater

### Documents:

- Warranty
- Installation and mounting guidelines

### Depending on the number of mounting holes:

#### Contents for 4-hole mounting

Contents for 4-hole mounting		Contents for 6-hole mounting	
Quantity	Description	Quantity	Description
1	Infrared heater	1	Infrared heater
1	Cardboard drilling template	1	Cardboard drilling template
4	Multi-purpose plug MD8	6	Multi-purpose plug MD8
4	Neoprene washer M5	6	Neoprene washer M5
4	Hexagon head wood screw 5 x 50 mm	6	Hexagon head wood screw 5 x 50 mm

### Materials required for installation:

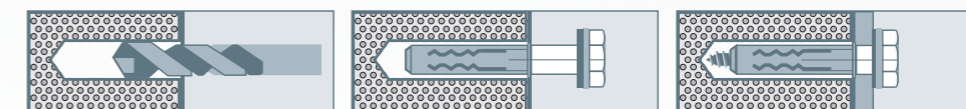
(not included in delivery)

- Spirit level
- Metre stick
- Pencil
- Hammer drill
- Concrete/masonry drill Ø 8 mm or wood drill Ø 4 mm
- Hammer (to drive in the plugs)
- Open-end or ratchet wrench, size 8 mm

**TIP: Laser range finders and cross-line laser levels are useful when installing larger projects.**

### Plug applications

The supplied plugs are multi-purpose plugs and can be used for the following materials: concrete, solid blocks, brick, limestone, sandstone, autoclaved aerated concrete.









**elio GmbH**  
Kramergasse 32  
DE-82054 Sauerlach  
T +49 8104 335 93 50  
sales@elio.eu  
www.elio.eu

**Oekoswiss Energy AG**  
Mülacher 6  
CH-6024 Hildisrieden  
T +41 41 450 30 80  
info@elemento-design.ch  
elemento-design.ch